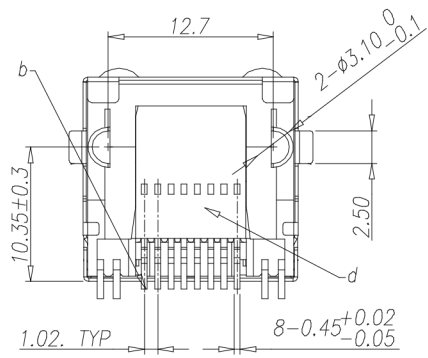
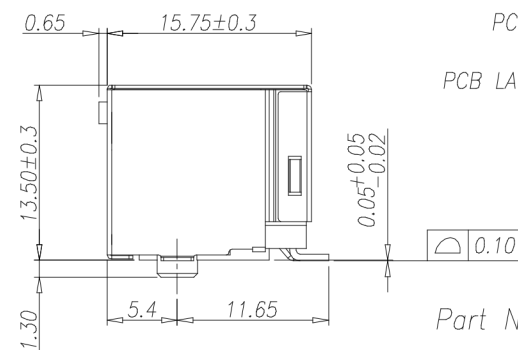
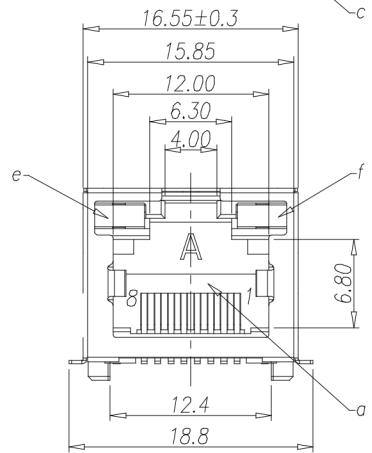
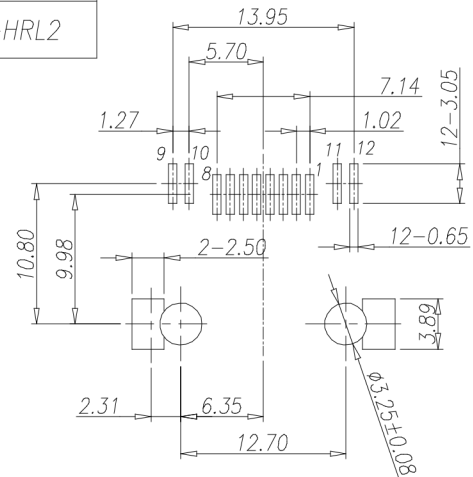
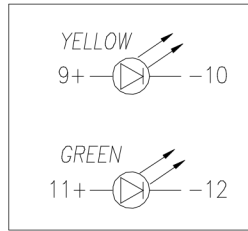
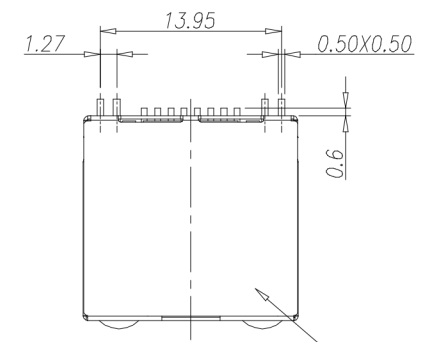


CATEGORY	DESCRIPTION	P/N #
CONNECTOR	Modular Jack, 8P8C, 90° AND LED SMT TYPE	MJ5688-BX11-HRL2

REV.	ECN NO	DESCRIPTION	REVISED	DATE
A0		New Release	Kelly	2012.08.13

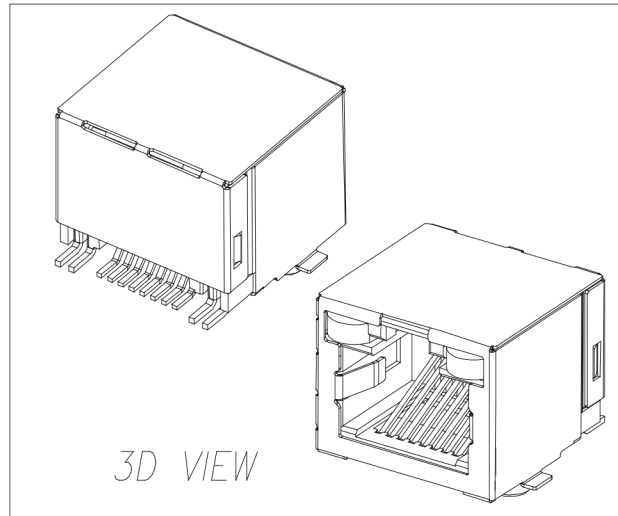


RECOMMEND PCB LAYOUT  
 PCB THICKNESS:1.60mm.  
 Jack Top View  
 PCB LAUOUT TOLERANCE:±0.05mm.

Part No.: MJ5688-BX11-HRL2

Material & Plating

X	Terminal Plating
0	Au 1u" Plating
1	Au 3u" Plating
2	Au 6u" Plating
3	Au 15u" Plating
4	Au 30u" Plating
5	Au 50u" Plating



3D VIEW

NO.	PART NAME	Q'TY	MATERIAL	PLATING & COLOR	Remark
f	LED-02	1	Ferroalloy	BRIGHT TIN & GREEN	
e	LED-01	1	Ferroalloy	BRIGHT TIN & YELLOW	
d	Cover	1	HIGH TEMP PLASTIC; UL94V-0	BLACK	
c	Shell	1	Brass T=0.25mm	Plating Ni 80u"Min	
b	Terminal	8	Phophor Bronze T=0.30mm	See Table 1	
a	Housing	1	HIGH TEMP PLASTIC; UL94V-0	BLACK	

UNLESS OTHERWISE SPECIFIED TOLERANCES  
 DECIMALS: X ±0.5, X.X ±0.3, X.XX ±0.2, X.XXX ±0.1  
 ANGLES: X ±2°, X.X ±1°

**贵州省合曜电子科技有限公司**  
 GuiZhouSheng HeYao Electronic Technology Co.,Ltd  
 Connector

SCALE:1/1	UNIT: mm	DWG.NO: WI-061-XXXX
SIZE: A3	PAGE:1 OF 1	REV:A0
APPROVED BY: Tony	CHECKED BY: Bill	PREPARED BY: Kelly
<b>CUSTOMER COPY</b>		