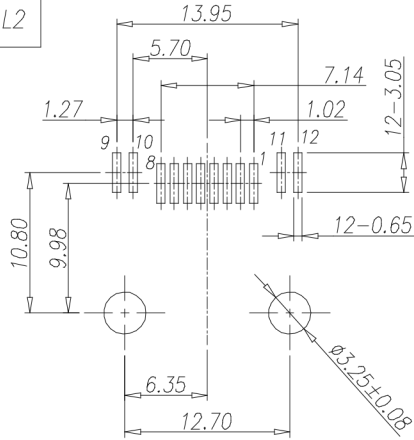
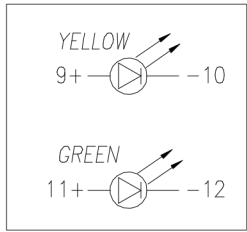
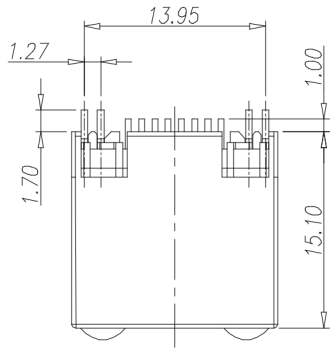


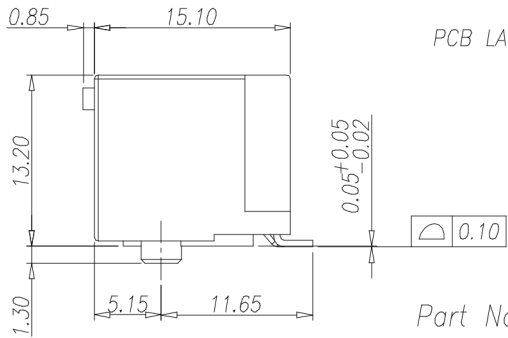
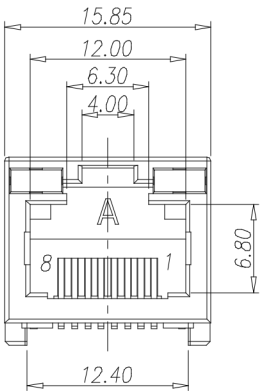
| CATEGORY | DESCRIPTION | P/N # |
|-----------|---------------------------------|---------------------|
| CONNECTOR | Modular Jack, 8P8C,90° SMT TYPE | MJ5688-BX11-HRNS1L2 |

| REV. | ECN NO | DESCRIPTION | REVISED | DATE |
|------|--------|-------------|---------|------------|
| A0 | | New Release | Kelly | 2012.08.24 |



RECOMMEND PCB LAYOUT
 PCB THICKNESS:1.60mm.
 Jack Top View
 PCB LAYOUT TOLERANCE:±0.05mm.

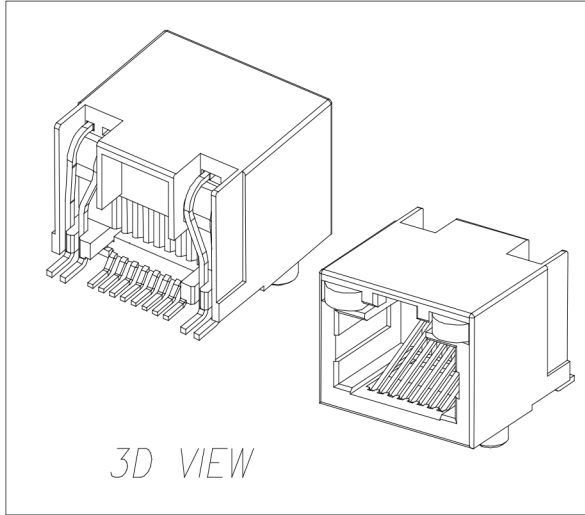
- Specifications:
- Rated Current: 1.5A
 - Contact resistance: 40mΩ MAX.
 - Insulation resistance: 500MΩ MIN.
 - Dielectric withstand: 500V AC for 1 minute
 - Operating temperature: -40°C~+80°C
 - Insert force: 35N MAX.
 - Withdraw force: 10N MIN.
 - Insertion/Extraction life: 750 Cycles
 - To Conform to the "RoHS Directive"
 - Resistance to reflow Soldering Heat 260°C 10 Seconds
 - Solder ability Temperature 245±5°C, 5±0.5 Sec



Part No.: MJ5688-BX11-HRNS1L2

Material & Plating

| X | Terminal Plating |
|---|------------------|
| 0 | Au 1u" Plating |
| 1 | Au 3u" Plating |
| 2 | Au 6u" Plating |
| 3 | Au 15u" Plating |
| 4 | Au 30u" Plating |
| 5 | Au 50u" Plating |



贵州省合曜电子科技有限公司
 GuiZhouSheng HeYao Electronic Technology Co.,Ltd

| NO. | PART NAME | Q'TY | MATERIAL | PLATING & COLOR | Remark |
|-----|-----------|------|----------------------------|---------------------|--------|
| e | LED-02 | 1 | Ferroalloy | BRIGHT TIN & GREEN | |
| d | LED-01 | 1 | Ferroalloy | BRIGHT TIN & YELLOW | |
| c | Cover | 1 | HIGH TEMP PLASTIC; UL94V-0 | BLACK | |
| b | Terminal | 8 | Phosphor Bronze T=0.30mm | See Table 1 | |
| a | Housing | 1 | HIGH TEMP PLASTIC; UL94V-0 | BLACK | |

UNLESS OTHERWISE SPECIFIED TOLERANCES

DECIMALS: X :±0.5, X.X :±0.3, X.XX :±0.2, X.XXX :±0.1

ANGLES: X :±2°, X.X :±1°

| | | |
|-------------------|------------------|---------------------|
| SCALE:1/1 | UNIT: mm | DWG.NO: WI-061-1311 |
| SIZE: A3 | PAGE:1 OF 1 | REV:A1 |
| APPROVED BY: Tony | CHECKED BY: Bill | PREPARED BY: Kelly |
| CUSTOMER COPY | | |