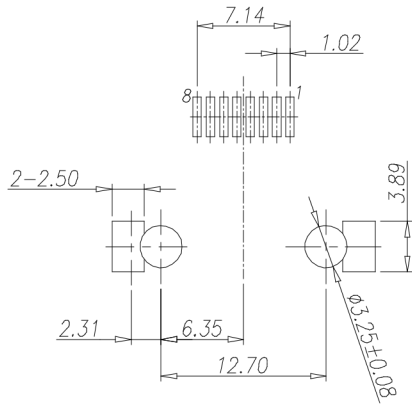
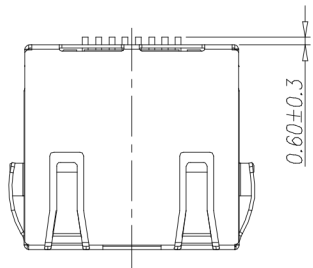
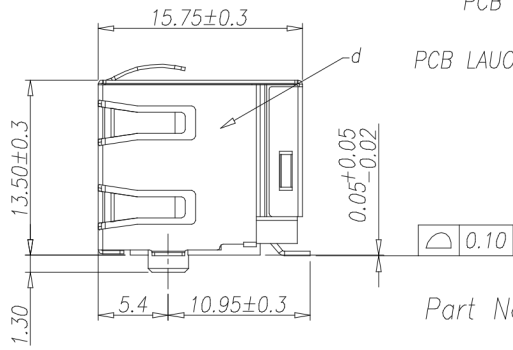
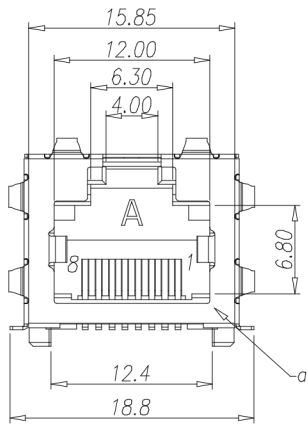


CATEGORY	DESCRIPTION	P/N #
CONNECTOR	Modular Jack, 8P8C, 90° WITH SHELL AND WITHOUT LED SMT TYPE	MJ5688-BX11-HRS2

REV.	ECN NO	DESCRIPTION	REVISED	DATE
A0		New Release	Kelly	2012.08.21



RECOMMEND PCB LAYOUT
 PCB THICKNESS:1.60mm.
 Jack Top View
 PCB LAUOUT TOLERANCE:±0.05mm.

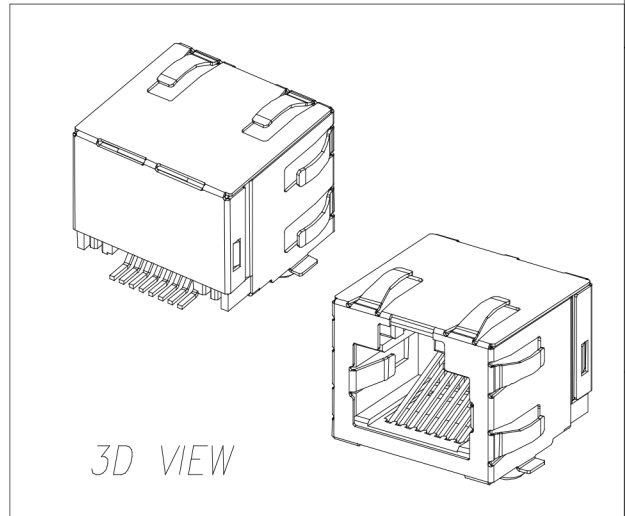


Part No.: MJ5688-BX11-HRS2

Material & Plating

Table 1

X	Terminal Plating
0	Au 1u" Plating
1	Au 3u" Plating
2	Au 6u" Plating
3	Au 15u" Plating
4	Au 30u" Plating
5	Au 50u" Plating



3D VIEW

贵州省合曜电子科技有限公司
 GuiZhouSheng HeYao Electronic Technology Co.,Ltd

NO.	PART NAME	Q'TY	MATERIAL	PLATING & COLOR	Remark
d	Shell	1	Brass T=0.25mm	Plating Ni 80u"Min	
c	Cover	1	HIGH TEMP PLASTIC; UL94V-0	BLACK	
b	Terminal	8	Phosphor Bronze T=0.30mm	See Table 1	
a	Housing	1	HIGH TEMP PLASTIC; UL94V-0	BLACK	

UNLESS OTHERWISE SPECIFIED TOLERANCES

DECIMALS: X :±0.5, X.X :±0.3, X.XX :±0.2, X.XXX :±0.1

ANGLES: X :±2°, X.X :±1°

SCALE:1/1	UNIT: mm	DWG.NO: WI-061-XXXX
SIZE: A3	PAGE:1 OF 1	REV:A0
APPROVED BY: Tony	CHECKED BY: Bill	PREPARED BY: Kelly
CUSTOMER COPY		