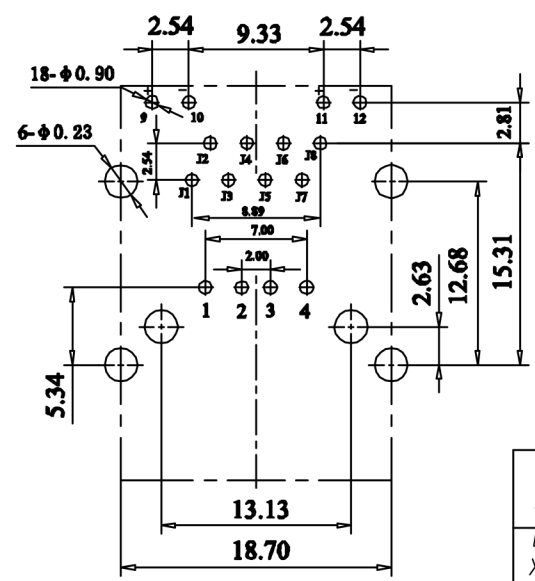
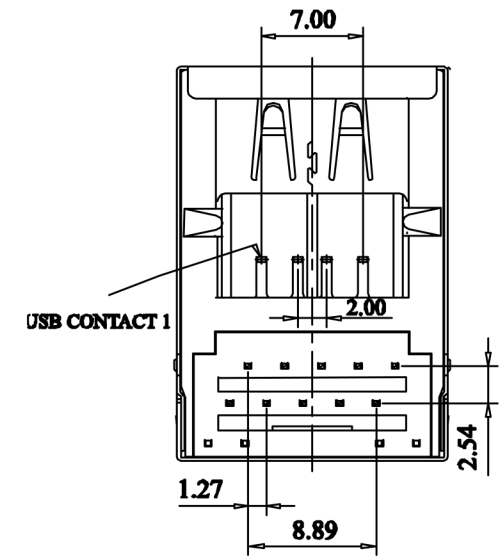
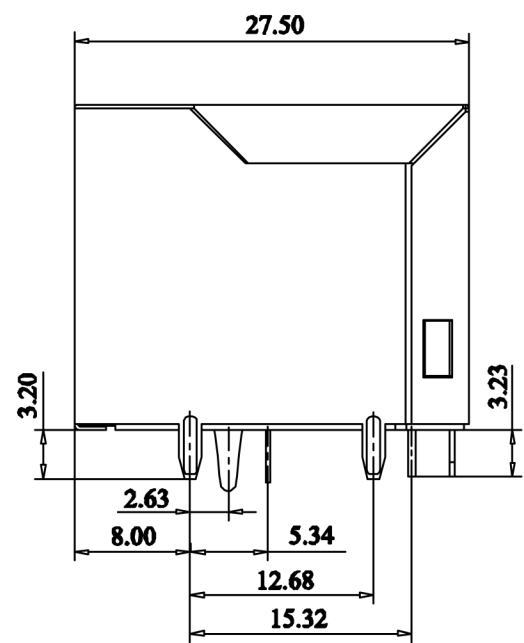
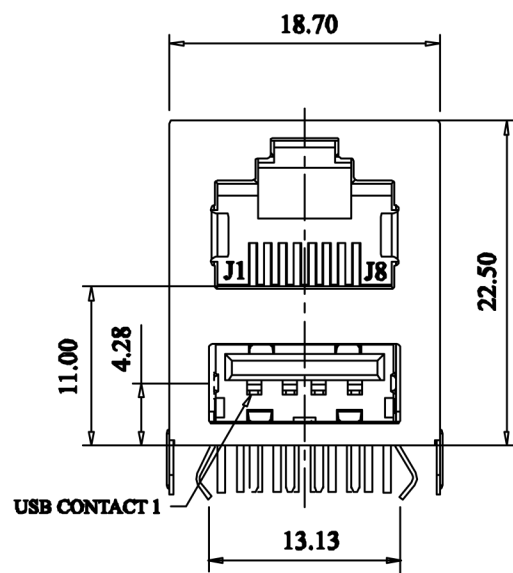


CATEGORY	DESCRIPTION	P/N #
CONNECTOR	RJ45 Over USB	MU88-BX21-R1

REV.	ECN NO	DESCRIPTION	REVISED	DATE
A1		新訂圖面	WZ	2009.06.18



NOTES:

ELECTRICAL:

- 1. VOLTAGE RATING : 125VAC RMS
- 2. CURRENT RATING : 1.5 AMP
- 3. CONTACT RESISTANCE : 50 MILLIOHMS MAX
- 4. INSULATION RESISTANCE : 500 MEGOHMS MIN @500 VDC
- 5. DIELECTRIC STRENGTH : 1000 VAC RMS 50HZ.1MIN

MECHANICAL:

- 1. HOUSING MATERIAL : GLASS FILLED POLTER(UL94V-0)
- 2. CONTACT MATERIAL : PHOSPHOR BRONZE T=0.46MM
- 3. PLATING : GOLD PLATION OVER NICKEL
- 4. OPERATION LIFT : 750 CYCLES MIN
- 5. PCB RETENTION PRE-SOLDER : 1 LBMIN
- 6. PCB RETENTION POST-SOLDER:10 LBMIN

ENVIRONMENTAL:

- 1. STORAGE : -40°C TO +85°C
- 2. OPERATION : 0°C TO +70°C
- 3. WAVE SOLDER TEMPERATURE:230~250°C(5~10SECONDS)

MATES WITH MODULAR PLUG CONFORMING TO FCC PART68 SUBPART F

PART NO.:
MU88-BX21-R1

Material & Plating

Table 1	X	Terminal Plating
	0	Gold Flash
	1	Au 3u" Plating
	2	Au 6u" Plating
	3	Au 15u" Plating
	4	Au 30u" Plating

 **贵州省合曜电子科技有限公司**
GuiZhouSheng HeYao Electronic Technology Co.,Ltd

UNLESS OTHERWISE SPECIFIED TOLERANCES	SCALE:1/1	UNIT: mm	DWG.NO: WI-061-234
	SIZE: A3	PAGE:1 OF 1	
DECIMALS: X :±0.5 X.X :±0.3 X.XX :±0.2	APPROVED BY	CHECKED BY	PREPARED BY
ANGLES: X :±1° X.X :±0.5°	DICK	DICK	WZ
CUSTOMER COPY			