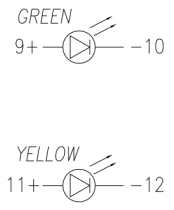
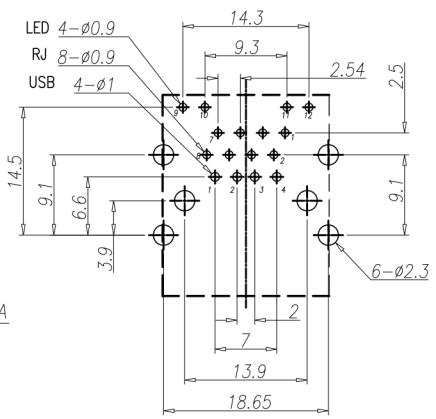
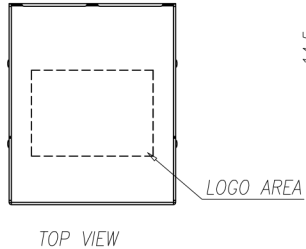
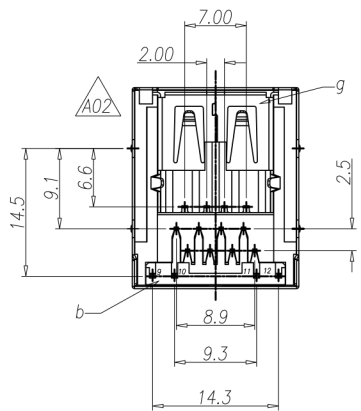
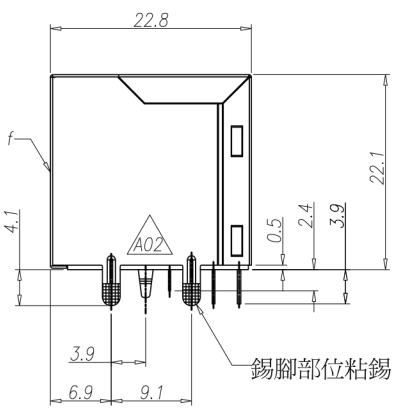
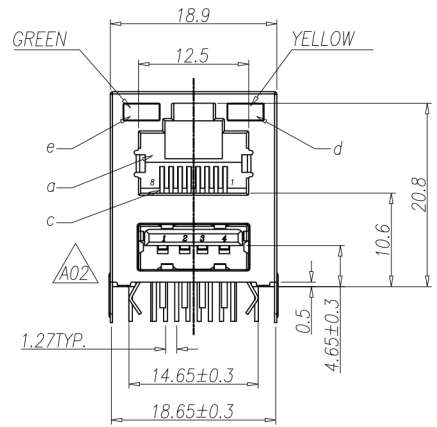


CATEGORY	DESCRIPTION	P/N #
CONNECTOR	RJ45 Over USB ,Right Angle, 4.65 SUS SHELL	MU88-BX21-R2L1

REV.	ECN NO	DESCRIPTION	REVISED	DATE
A1		新訂圖面	wz	2008.07.23



SPECIFICATIONS:

1.RJ ELECTRICAL CHARACTERISTICS

1-1:VOLTAGE:150V AC RMS
1-2:CURRENT RATING:1.5A
1-3:CONTACT RESISTANCE:30mΩ MAX.
1-4:INSULATION RESISTANCE:500MΩ MIN.
1-5:DIELECTRIC WITHSTANG VOLTAGE :1000V AC
1-6:OPERATURE TEMPERATURE:-40°C~80°C
1-7:DURABILITY:500 MATING CYCLES MIN.

2.USB ELECTRICAL CHARACTERISTICS

2-1:VOLTAGE:30V AC RMS
2-2:CURRENT RATING:1.5A
2-3:CONTACT RESISTANCE:30mΩ MAX.
2-4:DIELECTRIC WITHSTANG VOLTAGE:500V AC
2-5:INSULATION RESISTANCE:1000MΩ MIN.
2-6:OPERATURE TEMPERATURE:-55°C~85°C
2-7:DURABILITY:1500 MATING CYCLES

Recommend PCB Layout
(Jack Top View)
Tolerance: ±0.05mm
Recommend PCB Thickness: 1.6mm

g	USB	1	Terminal: Brass, T=0.25mm, Plating: 半金鍍 1u" Housing: PBT+30%G.F, UL94V-0, Color: Black Shell: Brass, T=0.3mm, Plating: Ni 50u" MIN.		
f	SHIELDING	1	SUS T=0.25mm		
e	LED	1		Green	
d	LED	1		Yellow	
c	RJ INSERT	1	Terminal: Phosphor Bronze, T=0.30mm, Plating: Gold Flash Housing: PBT+30%G.F, UL94V-0, Color: Black		
b	COVER	1	PBT+30%G.F, UL94V-0	Black	
a	HOUSING	1	PBT+30%G.F, UL94V-0	Black	
No.	PART NAME	Q'TY	MATERIAL	PLATING & COLOR	Remark

贵州省合曜电子科技有限公司
Connector GuiZhouSheng HeYao Electronic Technology Co.,Ltd

UNLESS OTHERWISE SPECIFIED TOLERANCES	SCALE:1/1	UNIT: mm	DWG.NO:
DECIMALS: X :±0.5 X.X :±0.3 X.XX :±0.2	SIZE: A3	PAGE:1 OF 1	WI-061-234
ANGLES: X :±1° X.X :±0.5°	APPROVED BY	CHECKED BY	PREPARED BY
	dick	xyj	wz
CUSTOMER COPY			