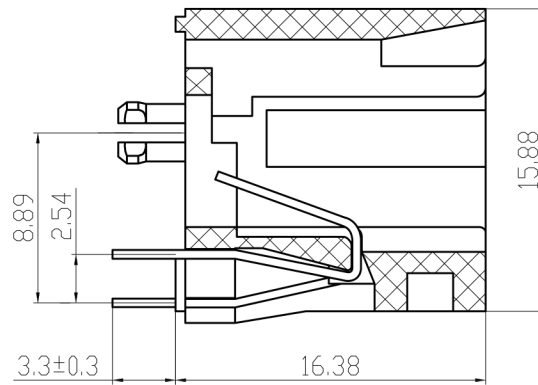
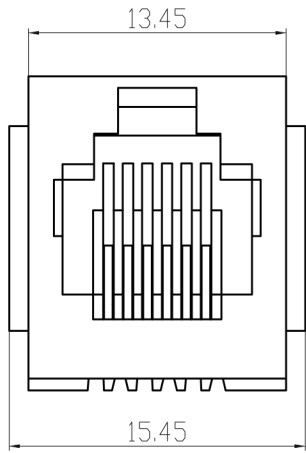


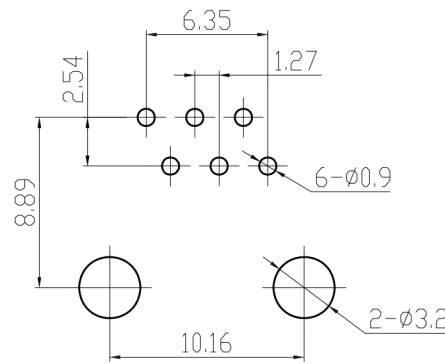
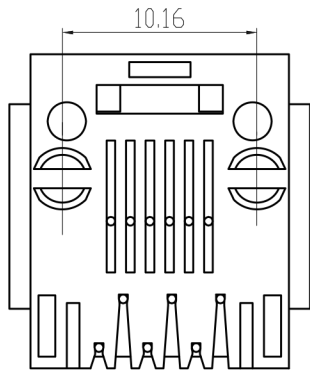
CATEGORY	DESCRIPTION	P/N #
CONNECTOR	Modular Jack, 6P6C, 1x1PORT	MJ522266E-BX11-PN1

REV.	ECN NO	DESCRIPTION	REVISED	DATE
A01	—	New Release	GMC	2008.03.20



SPECIFICATIONS:

1. Voltage: 150V AC RMS
2. Current Rating: 1.5A
3. Contact Resistance: 30mΩ MAX.
4. Insulation Resistance: 500MΩ MIN.
5. Dielectric Withstang Voltage :1000V AC
6. Operature Temperature: -40°C~80°C
7. Durability: 500 Mating Cycles MIN.



PC Board Layout

Part No.: MJ522266E-BX11-PN1

Material & Plating

Table 1

X	Terminal Plating
0	Au 1u" Plating
1	Au 3u" Plating
2	Au 6u" Plating
3	Au 15u" Plating
4	Au 30u" Plating
5	Au 50u" Plating

 **贵州省合曜电子科技有限公司**
GuiZhouSheng HeYao Electronic Technology Co.,Ltd

NO.	PART NAME	Q'TY	MATERIAL	PLATING & COLOR	Remark
b	Terminal	8	Phosphor Bronze	Gold Flash	
a	Housing	1	PBT UL94V-0	See Color Scheme	

UNLESS OTHERWISE SPECIFIED TOLERANCES		SCALE:1/1	UNIT: mm		DWG.NO:
		SIZE: A3	PAGE:1 OF 1	REV:A01	WI-061-751
DECIMALS: X :±0.5 X.X :±0.3 X.XX :±0.2		ANGLES: X :±2° X.X :±1°		APPROVED BY	CHECKED BY
				TONY	WZ
				PREPARED BY	
				WZ	
CUSTOMER COPY					