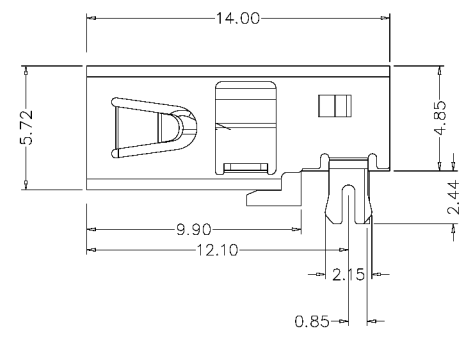
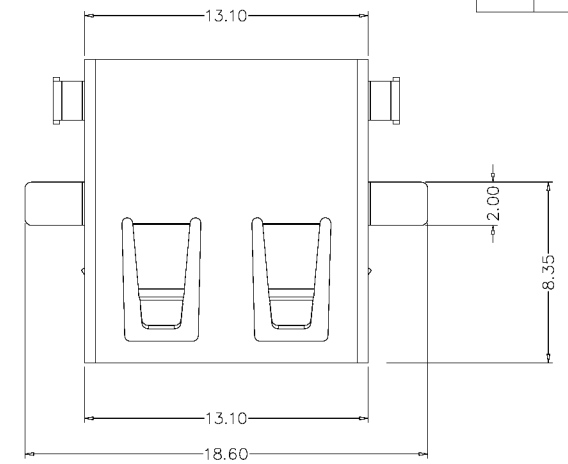
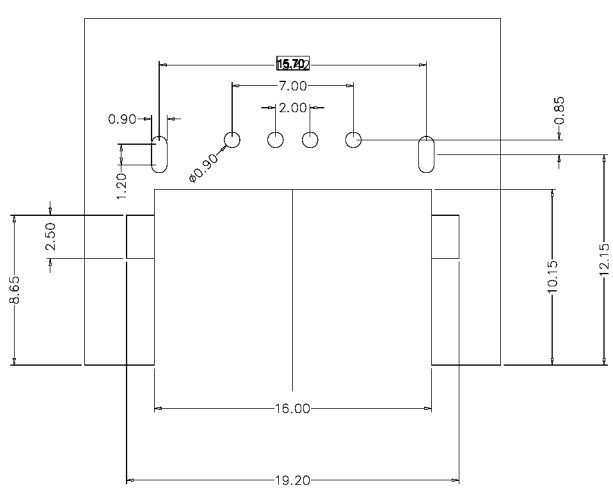


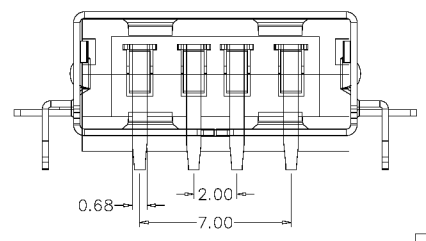
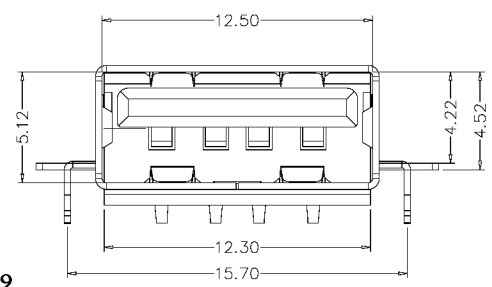
CATEGORY	DESCRIPTION	P/N #
CONNECTOR	USB A TYPE (FEMALE) 4P DIP	UB1041-BX11-RSX

REV.	ECN NO	DESCRIPTION	REVISED	DATE
R01		NEW RELEASE	WZ	2009.04.03

- SPECIFICATION:
1. Voltage: 30V RMS
 2. Current rating: 1A
 3. Contact resistance: 30mΩ Max.
 4. Dielectric withstand voltage: 500V AC
 5. Insulation resistance: 1000MΩ Min.
 6. Operate temperature: -55°C~85°C
 7. Durability: 1,500 mating cycles



H 2.5 3.5 3.9 4.9



UB1041-BX11-RSX

Material & Plating

Table 1

X	Terminal Plating
1	Au 1u" Plating
3	Au 3u" Plating
6	Au 6u" Plating
7	Au 15u" Plating
8	Au 30u" Plating

NO.	PART NAME	Q'TY	MATERIAL	PLATING & COLOR	Remark
c	Shell	1	Brass, T=0.3mm	Ni Plating	
b	Housing	1	PA6T UL94V-0	See Color Scheme	
a	Terminal	4	Brass, T=0.25mm	See Table 1	

UNLESS OTHERWISE SPECIFIED TOLERANCES

DECIMALS: X :±0.5 X.X :±0.3 X.XX :±0.2

ANGLES: X :±2° X.X :±1°

SCALE:free	UNIT: mm	DWG.NO:	
SIZE: A3	PAGE:1 OF 1	REV:R01	
APPROVED BY	CHECKED BY	PREPARED BY	
TONY	WZ	WZ	
CUSTOMER COPY			