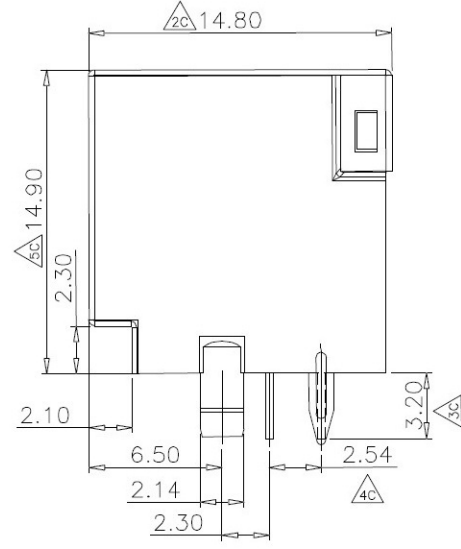
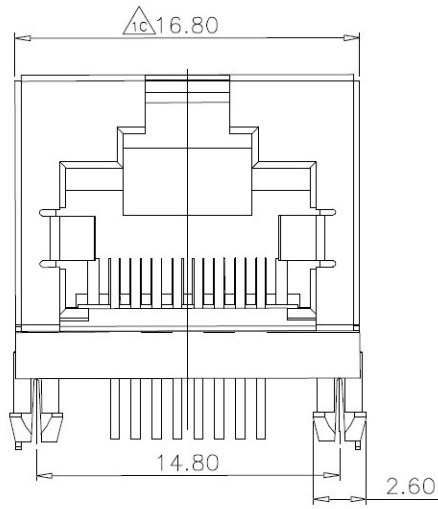


CATEGORY	DESCRIPTION	P/N #
CONNECTOR	Modular Jack, 8P8C, 1x1PORT	MJ5588-BX11-JR1

REV.	ECN NO	DESCRIPTION	REVISED	DATE
A01		New Release	Kelly	2010.3.09



Electrical:
 1.Voltage Rating:125 Vac Rms.
 2.Current Rating:1.5 Amp.
 3.Contact Resistance:40 Milliohms Max.
 4.Insulation Resistance:1000 Megohms Min @500
 5.Dielectric Strength:1000 Vac Rms 60Hz, 1Min.

Mechanical:
 1.Operating:750 Cycles Min.

Environmental:
 1.Storage:-40°C To +85°C.
 2.Operation:-20°C To +75°C.
 Mates With Modular Plug Conforming
 To FCC Part 68, Subpart F.

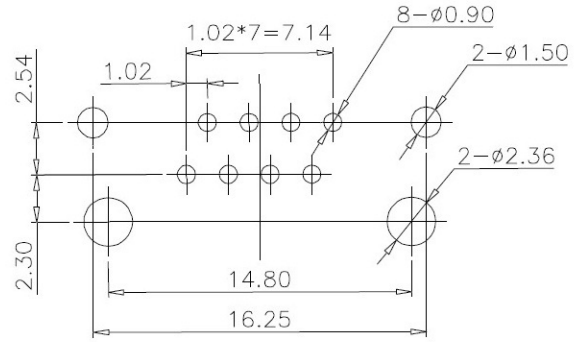
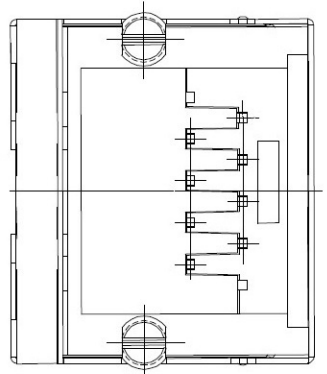
Materials:
 Shielded: Brass With Nickel Plated
 Plastic Housing: Engineering Thermoplastic
 Flammability Rating UL 94V-0.
 Contacts: Thickness Phosphor Bronze
 Plating: Gold Plating Over Nickel In Contact.

Part No.: MJ5588-BX11-JR1

Material & Plating

Table 1

X	Terminal Plating
0	Au 1u" Plating
1	Au 3u" Plating
2	Au 6u" Plating
3	Au 15u" Plating
4	Au 30u" Plating
5	Au 50u" Plating



PCB LAYOUT/TOP VIEW

Connector 贵州省合曜电子科技有限公司
 GuiZhousheng HeYao Electronic Technology Co.,Ltd

UNLESS OTHERWISE SPECIFIED TOLERANCES	SCALE:1/1	UNIT: mm	DWG.NO: WI-061-751
	SIZE: A3	PAGE:1 OF 1	
DECIMALS: X :±0.5 X.X :±0.3 X.XX :±0.2	ANGLES: X :±2° X.X :±1°	APPROVED BY Tony	CHECKED BY Bill
		PREPARED BY Kelly	CUSTOMER COPY