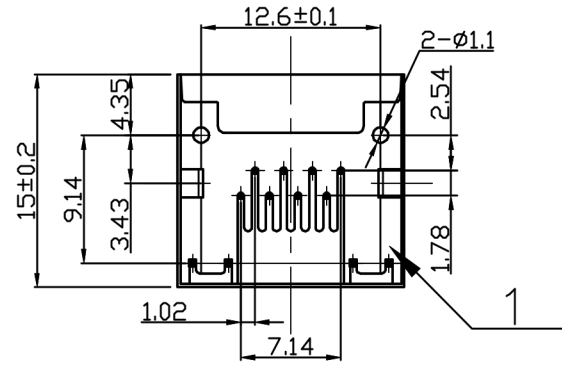
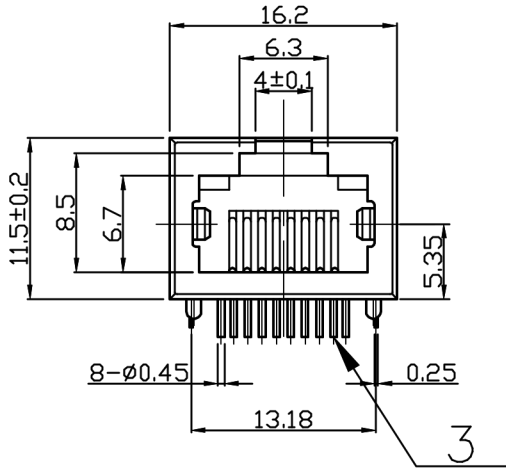


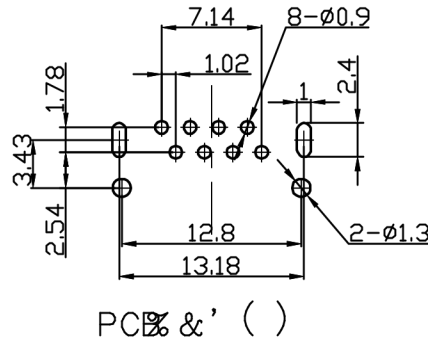
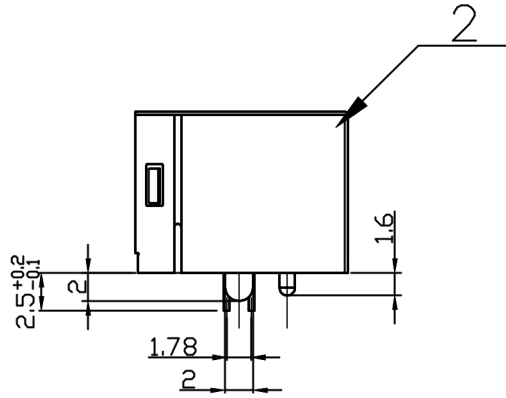
CATEGORY	DESCRIPTION	P/N #
CONNECTOR	Modular Jack, 8P8C, R/A	MJ3288-BX11-LR1

REV.	ECN NO	DESCRIPTION	REVISED	DATE
A01		New Release	Kelly	2011.03.25



SPECIFICATIONS:

1. Voltage: 150V AC RMS
2. Current Rating: 1.5A
3. Contact Resistance: 30mΩ MAX.
4. Insulation Resistance: 500MΩ MIN.
5. Dielectric Withstang Voltage :1000V AC
6. Operature Temperature: -40°C~80°C
7. Durability: 500 Mating Cycles MIN.



Part No.: MJ3288-BX11-LR1

Table 1

X	Terminal Plating
0	Au 1u" Plating
1	Au 3u" Plating
2	Au 6u" Plating
3	Au 15u" Plating
4	Au 30u" Plating
5	Au 50u" Plating

NO.	PART NAME	Q'TY	MATERIAL	Material & Plating	Remark
c	Shielding	1	Brass	Ni Plating	
b	Terminal	8	Phosphor Bronze	PLATING & COLOR	
a	Housing	1	PA66	Black	

UNLESS OTHERWISE SPECIFIED TOLERANCES

DECIMALS: X :±0.5, X.X :±0.3, X.XX :±0.2

ANGLES: X :±2°, X.X :±1'

SCALE: 1/1 UNIT: mm

SIZE: A3 PAGE: 1 OF 1 REV: A01

DWG.NO: WI-061-751

APPROVED BY: Tony

CHECKED BY: Bill

PREPARED BY: Kelly

CUSTOMER COPY

 **贵州省合曜电子科技有限公司**
GuiZhouSheng HeYao Electronic Technology Co.,Ltd