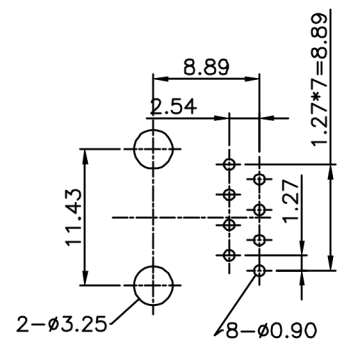
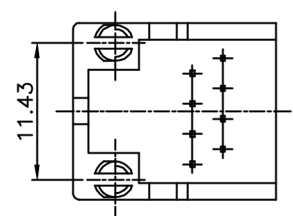
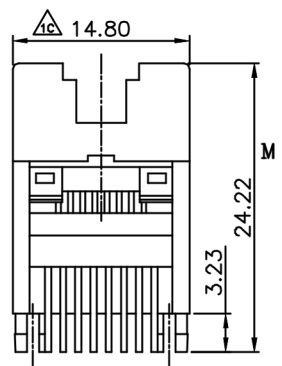
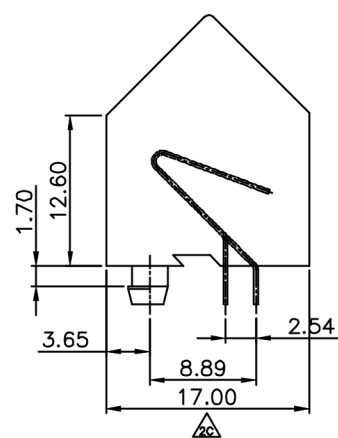


CATEGORY	DESCRIPTION	P/N #
CONNECTOR	Modular Jack, 8P8C, 1x1PORT	MJ88-WX11-JLN1

REV.	ECN NO	DESCRIPTION	REVISED	DATE
A01		New Release	Kelly	2012.8.09



PCB LAYOUT/TOP VIEW

**Electrical:**

- 1.Voltage Rating:125 Vac Rms.
- 2.Current Rating:1.5 Amp.
- 3.Contact Resistance:40 Milliohms Max.
- 4.Insulation Resistance:1000 Megohms Min @500 Vdc.
- 5.Dielectric Strength:1000 Vac Rms 60Hz, 1Min.

**Mechanical:**

- 1.Operating:750 Cycles Min.

**Environmental:**

- 1.Storage:-40°C To +85°C.
- 2.Operion:-20°C To +75°C.

Mates With Modular Plug Conforming To FCC Part 68, Subpart F.

Part No.:

MJ88-WX11-JLN1

Material & Plating

Table 1

X	Terminal Plating
0	Au 1u" Plating
1	Au 3u" Plating
2	Au 6u" Plating
3	Au 15u" Plating
4	Au 30u" Plating
5	Au 50u" Plating

**MATERIALS:**

PLASTIC HOUSING: ENGINEERING THERMOPLASTIC  
 FLAMMABILITY RATING UL 94V-0.  
 CONTACTS: PHOSPHOR BRONZE  
 PLATING: GOLD PLATING OVER NICKEL IN CONTACT.  
 TIN PLATING OVER NICKEL IN SOLDER AREA.



**贵州省合曜电子科技有限公司**  
 GuiZhousheng HeYao Electronic Technology Co.,Ltd

UNLESS OTHERWISE SPECIFIED TOLERANCES	SCALE:1/1	UNIT: mm	DWG.NO: WI-061-751
	SIZE: A3	PAGE:1 OF 1	
DECIMALS: X :±0.5 X.X :±0.3 X.XX :±0.2	APPROVED BY Tony	ANGLES: X :±2° X.X :±1'	CHECKED BY Bill
			PREPARED BY Kelly
<b>CUSTOMER COPY</b>			