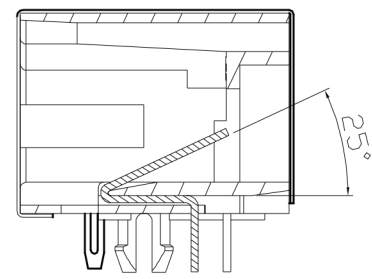
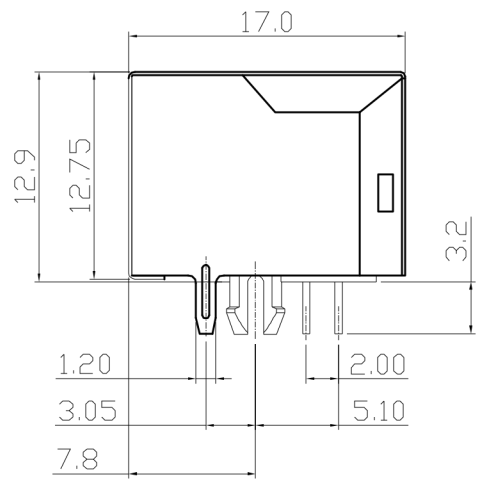
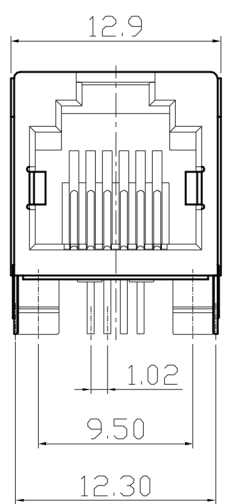
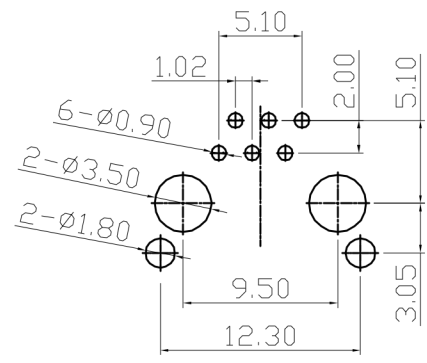
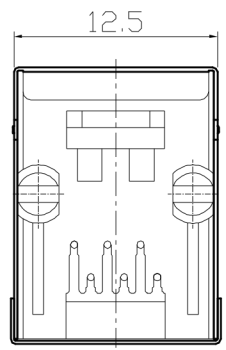


CATEGORY	DESCRIPTION	P/N #
CONNECTOR	RJ11 6P6C WITH SHELL	MJ66-BX11-HRS1

REV.	ECN NO	DESCRIPTION	REVISED	DATE
A01		New Release	XSY	2014.02.13



- SPECIFICATION**
- VOLTAGE RATING: 125 VAC RMS.
 - CURRENT RATING: 1.5 AMP
 - CONTACT RESISTANCE: 50 mΩ MAX
 - INSULATION RESISTANCE: 500MΩ MIN.
 - WITHSTAND VOLTAGE: AC1000V RMS 50Hz or 60Hz MIN.
 - OPERATING TEMPERATURE: 0°C~+70°C



Recommend PCB Layout
(Jack Top View)
Tolerance: ±0.05mm
Recommend PCB Thickness: 1.6mm

Part No.:
MJ66-BX11-HRS1

X	Terminal Plating
0	G/F Plating
1	Au 3u" Plating
2	Au 6u" Plating
3	Au 15u" Plating
4	Au 30u" Plating

NO.	PART NAME	Q'TY	MATERIAL	PLATING & COLOR	Remark
C	SHELL	1	BRASS T=0.2mm	Ni PALTING	
b	TERMINAL	6	PHOSPHOR BRONZE ø0.46	Au PALTING	
a	HOUSING	1	PBT UL94V-0	BLACK	

UNLESS OTHERWISE SPECIFIED TOLERANCES	SCALE: 1/1	UNIT: mm	⊕ ⊖	DWG. NO:
	SIZE: A3	PAGE: 1 OF 1	REV: A01	
DECIMALS: X : ±0.5 X.X : ±0.3 X.XX : ±0.2	ANGLES: X : ±2° X.X : ±1°	APPROVED BY	CHECKED BY	PREPARED BY
		XSY		
CUSTOMER COPY				

贵州省合曜电子科技有限公司
GuiZhousheng HeYao Electronic Technology Co., Ltd