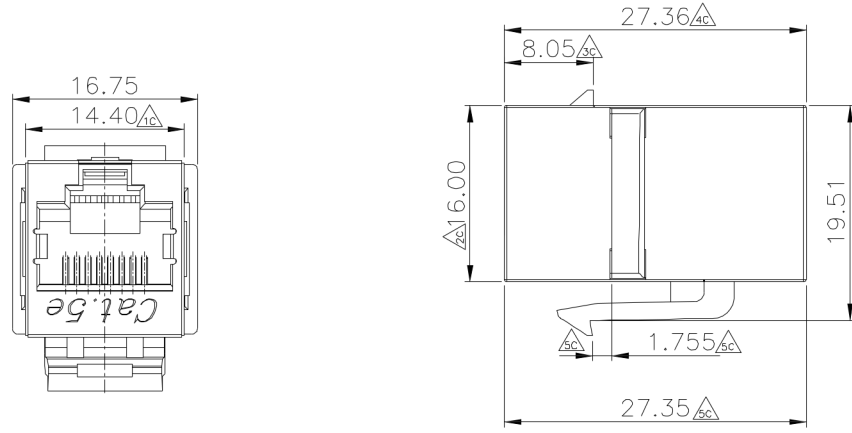


CATEGORY	DESCRIPTION	P/N #
CONNECTOR	8p8c 转接头	US88E-J002

REV.	ECN NO	DESCRIPTION	REVISED	DATE
A01		New Release	Kelly	2008.03.12



Electrical:

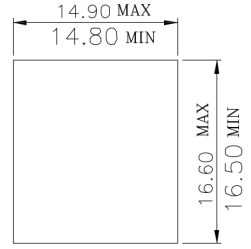
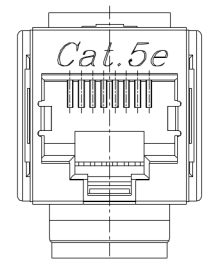
- 1.Voltage Rating:125 Vac Rms.
- 2.Current Rating:1.5 Amp.
- 3.Contact Resistance:40 Milliohms Max.
- 4.Insulation Resistance:1000 Megohms Min @500 Vdc.
- 5.Dielectric Strength:1000 Vac Rms 60Hz, 1Min.

Mechanical:

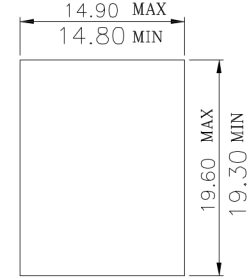
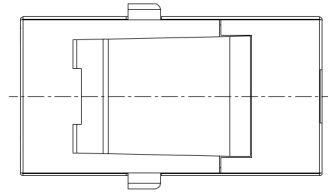
- 1.Operating:750 Cycles Min.

Environmental:

- 1.Storage:-40°C To +85°C.
  - 2.Operation:-20°C To +75°C.
- Mates With Modular Plug Conforming To FCC Part 68 Subpart F.



Front Panel Jack Only Clearance  
W/O Latch Feature



Single Panel-Latch Clearance  
Panel Thickness 1.60mm

*Materials:*

- Shielded: Stainless Steel.*
- Plastic Housing: Engineering Thermoplastic*
- Flammability Rating UL 94V-0.*
- Contacts: Thickness Phosphor Bronze*
- Plating: Gold Plating Over Nickel In Contact.*

 **贵州省合曜电子科技有限公司**  
GuiZhouSheng HeYao Electronic Technology Co.,Ltd

UNLESS OTHERWISE SPECIFIED TOLERANCES	SCALE:1/1	UNIT: mm	DWG.NO: WI-061-751
	SIZE: A3	PAGE:1 OF 1	
DECIMALS: X :±0.5 X.X :±0.3 X.XX :±0.2	APPROVED BY Tony	ANGLES: X :±2° X.X :±1°	CHECKED BY Bill
			PREPARED BY Kelly
<b>CUSTOMER COPY</b>			