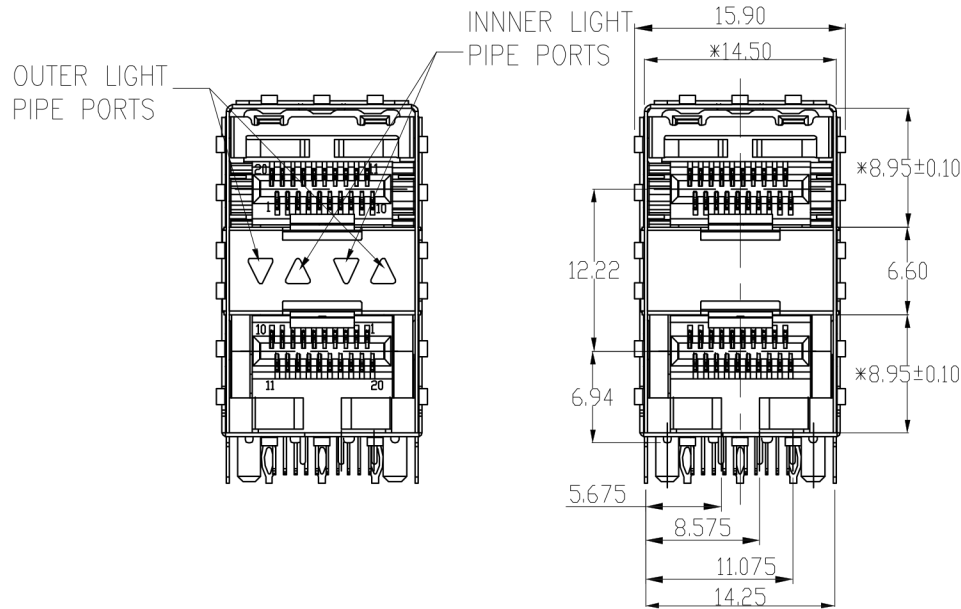
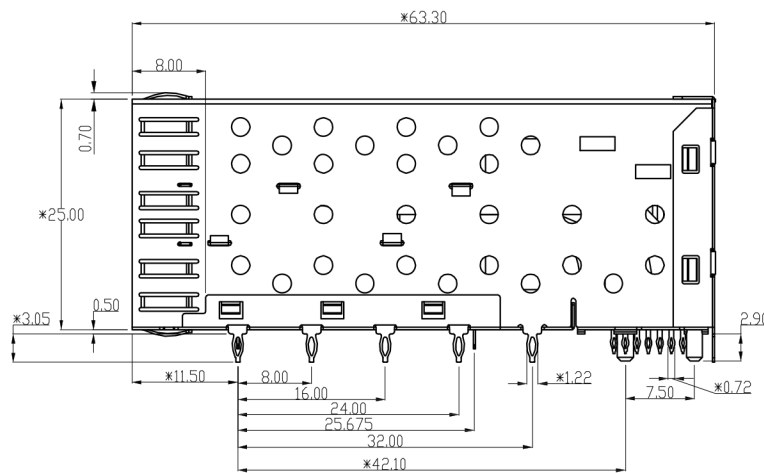


CATEGORY	DESCRIPTION	P/N #
CONNECTOR	SFP 2X1	SFP-012

REV.	ECN NO	DESCRIPTION	REVISED	DATE
A1		新訂圖面	WZ	2009.8.20



NOTE:  
 MECHANICAL:  
 1. TERMINAL: COPPER ALLOY  
 2. HOUSING: HIGH TEMPERATURE THERMOPLASTIC GLASS FILLED UL 94V-0. COLOR: BLACK  
 PLATED:  
 1. CONTACT AREA : PLATING GOLD OVER NICKLE AND 100U"MIN TIN OVER NICKLE.  
 MECHANICAL REQUIREMENT:  
 1. DURABILITY: 100 CYCLES MIN.  
 2. INSERTION AND EXTRACTION FORCE: 40N MAX & 11.5N MAX  
 ENVIRONMENTAL:  
 1. CONTACT RESISTANCE: 20 MILLIOHMS MAX INITIAL.  
 2. DIELECTRIC WITHSTANDING VOLTAGE: 300V AC/MIN.  
 3. OPERATION: -55°C~+85°C.  
 4. STORAGE: 0°C~+70°C  
 5. WAVE SOLDERING TEMPERATURE: 255~265°C (5~10 SECONDS).  
 6. ROHS COMPLIANT



DESCRIPTION	LIGHT PIPE
SFP 2x1 Press Fit W/D CZT	No
SFP 2x1 Press Fit W/ CZT	No
SFP 2x1 Press Fit W/ CZT	Yes
SFP 2x1 Press Fit W/D CZT	Yes

**贵州省合曜电子科技有限公司**  
 GuiZhousheng HeYao Electronic Technology Co.,Ltd

UNLESS OTHERWISE SPECIFIED TOLERANCES	SCALE: 1/1	UNIT: mm	DWG.NO: WI-061-234
	SIZE: A3	PAGE: 1 OF 3	
DECIMALS: X :±0.5 X.X :±0.3 X.XX :±0.2	ANGLES: X :±1° X.X :±0.5°	APPROVED BY DICK	CHECKED BY XYJ
		PREPARED BY WZ	CUSTOMER COPY