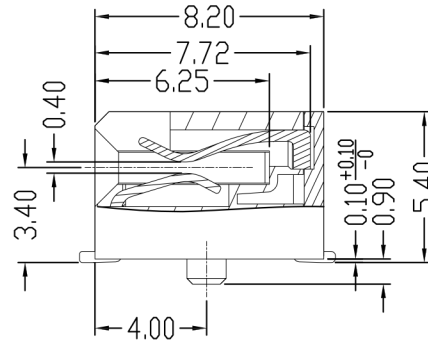
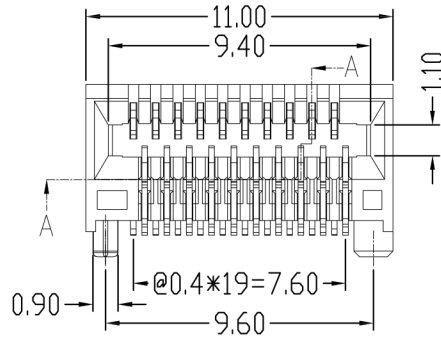
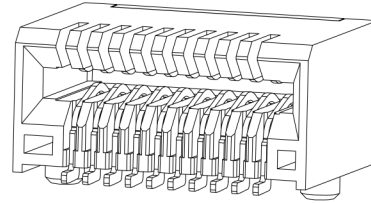
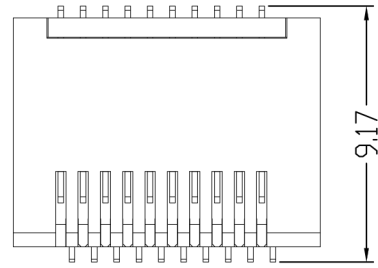
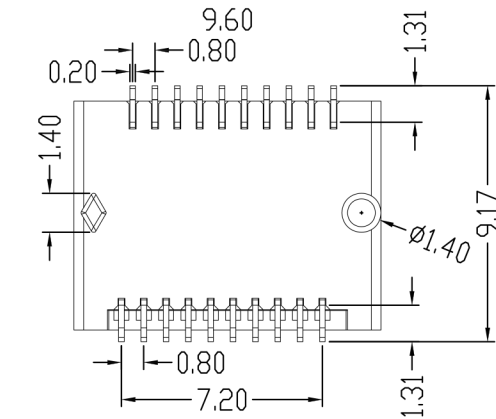


CATEGORY	DESCRIPTION	P/N #
CONNECTOR	SFP 1X1	SFP-11-B

REV.	ECN NO	DESCRIPTION	REVISED	DATE
A1	—	新訂圖面	WZ	2009.10.20



SECTION A-A



NOTE:

MECHANICAL:

1. TERMINAL: COPPER ALLOY
2. HOUSING: HIGH TEMPERATURE THERMOPLASTIC GLASS FILLED UL 94V-0. COLOR: BLACK

PLATED:

1. CONTACT AREA : PLATING GOLD OVER NICKLE AND 100U"MIN TIN OVER NICKLE.

MECHANICAL REQUIREMENT:

1. DURABILITY: 100 CYCLES MIN.
2. INSERTION AND EXTRACTION FORCE: 40N MAX & 11.5N MAX

ENVIRONMENTAL:

1. CONTACT RESISTANCE: 20 MILLIOHMS MAX INITIAL.
2. DIELECTRIC WITHSTANDING VOLTAGE: 300V AC/MIN.
3. OPERATION: -55°C~+85°C.
4. STORAGE: 0°C~+70°C
5. WAVE SOLDERING TEMPERATURE: 255~265°C (5~10 SECONDS).
6. ROHS COMPLIANT

DESCRIPTION	CONTACT PLATING GOLD	LOGO
CONNECTOR, SFP 1XN SMT Type	15u"	W/O LOGO
CONNECTOR, SFP 1XN SMT Type	30u"	W/O LOGO



UNLESS OTHERWISE SPECIFIED TOLERANCES	SCALE: 1/1	UNIT: mm	DWG. NO: WI-061-234
	SIZE: A3	PAGE: 1 OF 1	
DECIMALS: X :±0.5	APPROVED BY	CHECKED BY	PREPARED BY
X.X :±0.3	DICK	XYJ	WZ
X.XX :±0.2	CUSTOMER COPY		