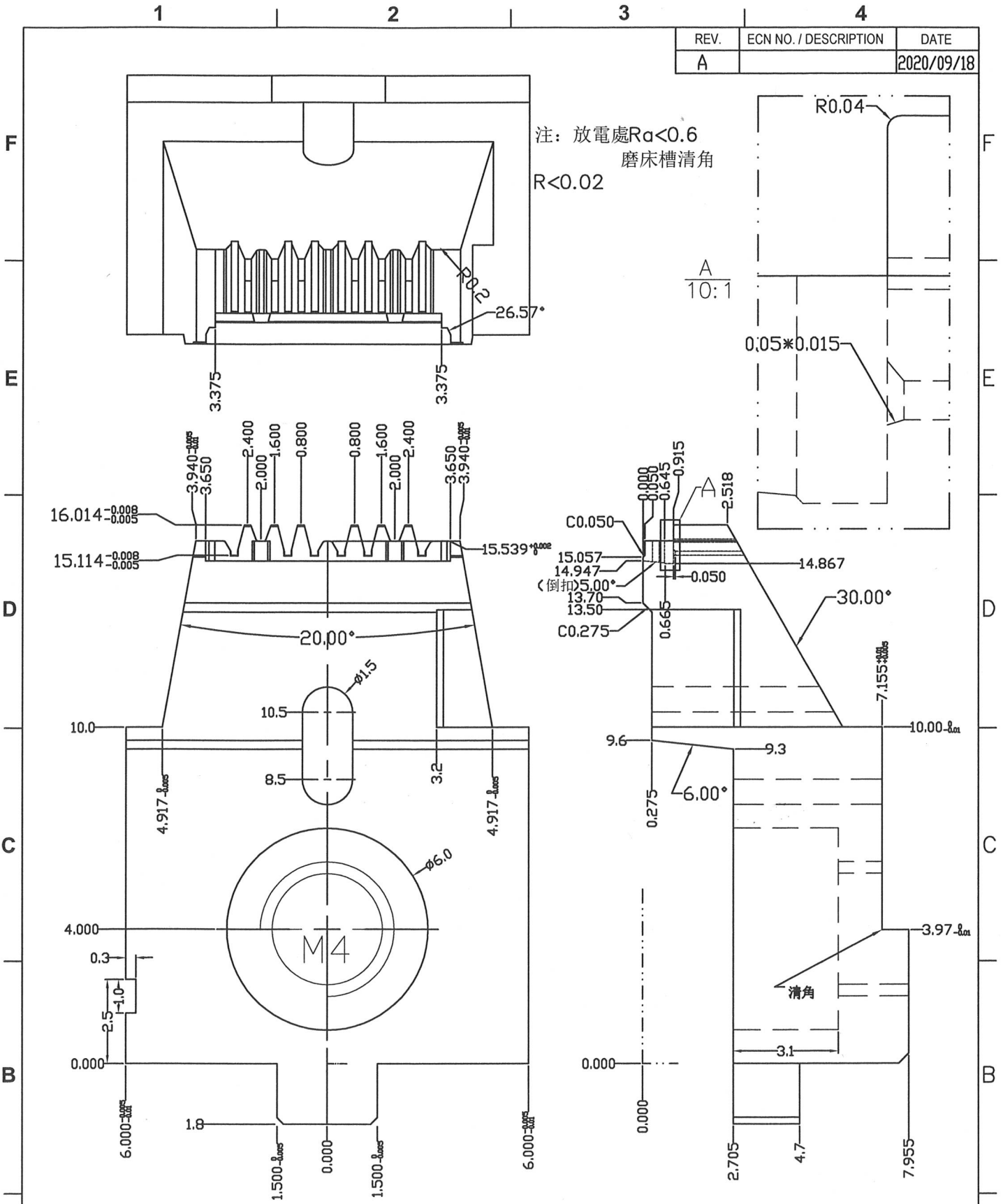


REV.	ECN NO. / DESCRIPTION	DATE
A		2020/09/18



GENERAL TOLERANCES UNLESS SPECIFIED		MATERIAL ELMAX	PART NO. BUSB2232-P00*	CAYMAN MOULD TECH. CO.,LTD		
LINEAR	ANGLE	FINISH HRC56~58°	APPROVED BY	TITLE TYPE C CH1.32 DIP Molding 公模仁		
.X ±0.05	X.° ±1°	UNITS MM	CHECKED BY	DWG NO. 093		
.XX ±0.01	.X.° ±0.5°	SIZE A4	QTY 8	DRAWN BY	SHEET 1/2	SCALE 1 : 0.15
.XXX ±0.005	.XX.° ±0.1°				REV A	
.XXXX ±0.002	.XXX.° ±0.05°					