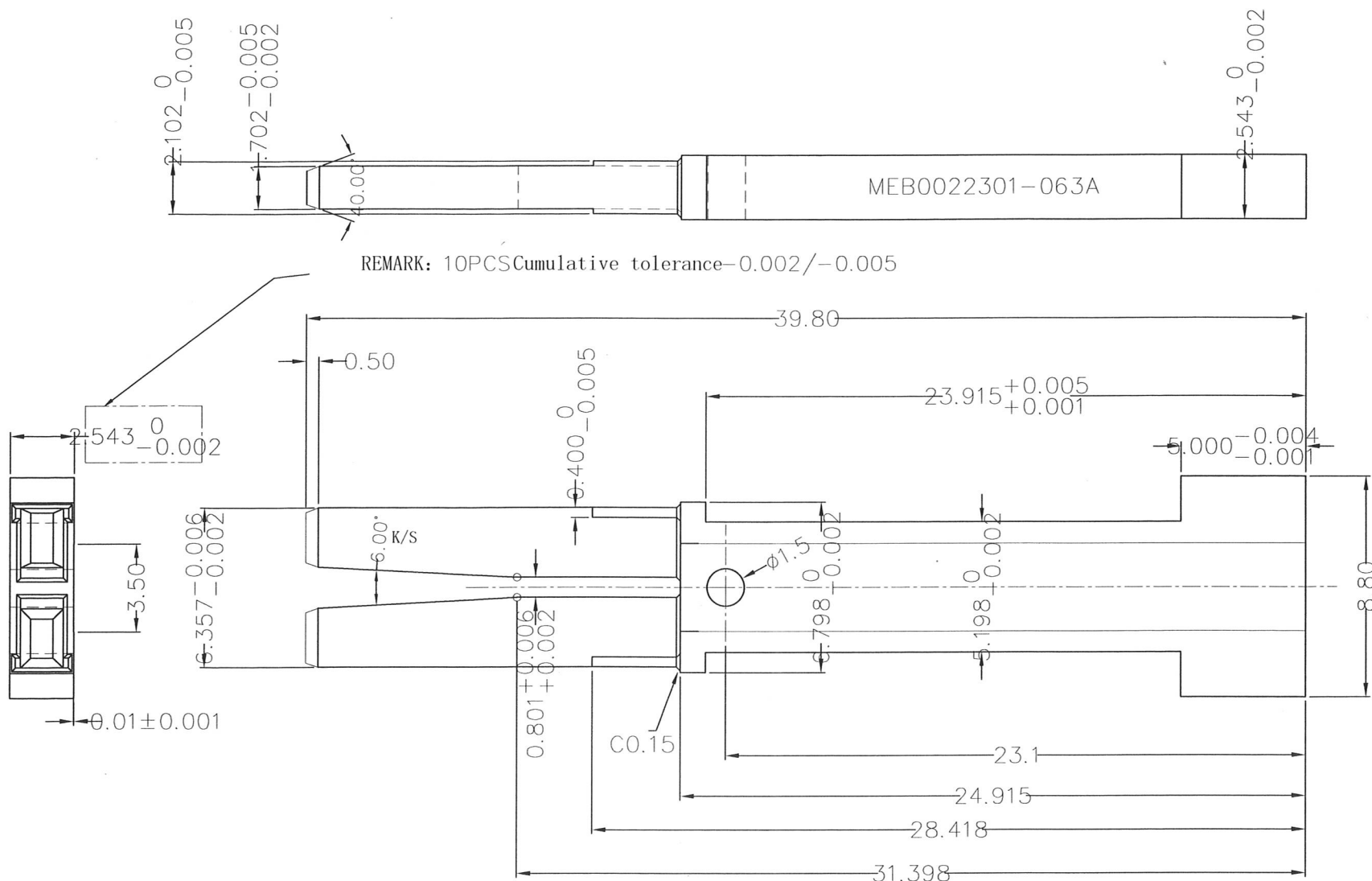


REV.	ECN NO. / DESCRIPTION	DATE
A		



GENERAL TOLERANCES UNLESS SPECIFIED	DRAWN BY	CHECKED BY	APPROVED BY	Q'TY	FINISH	MATERIAL	TITLE	CAYMAN MOULD TECH. CO.		
	.X ± 0.05	.X' ± 1'		10	HRC56°~58°	VIKING(進口)	POWER 20P 主體 模仁	A		
	.XX ± 0.01	.X' ± 0.5'		SIZE	UNITS	PART NO.	DWG NO.	SHEET	SCALE	REV
	.XXX ± 0.005	.X' ± 0.1'		A4	MM	POW0004-P001CC	301-063	1 / 1	1:0.7	A
.XXXX ± 0.001	.X' ± 0.05'	2020-11-5								