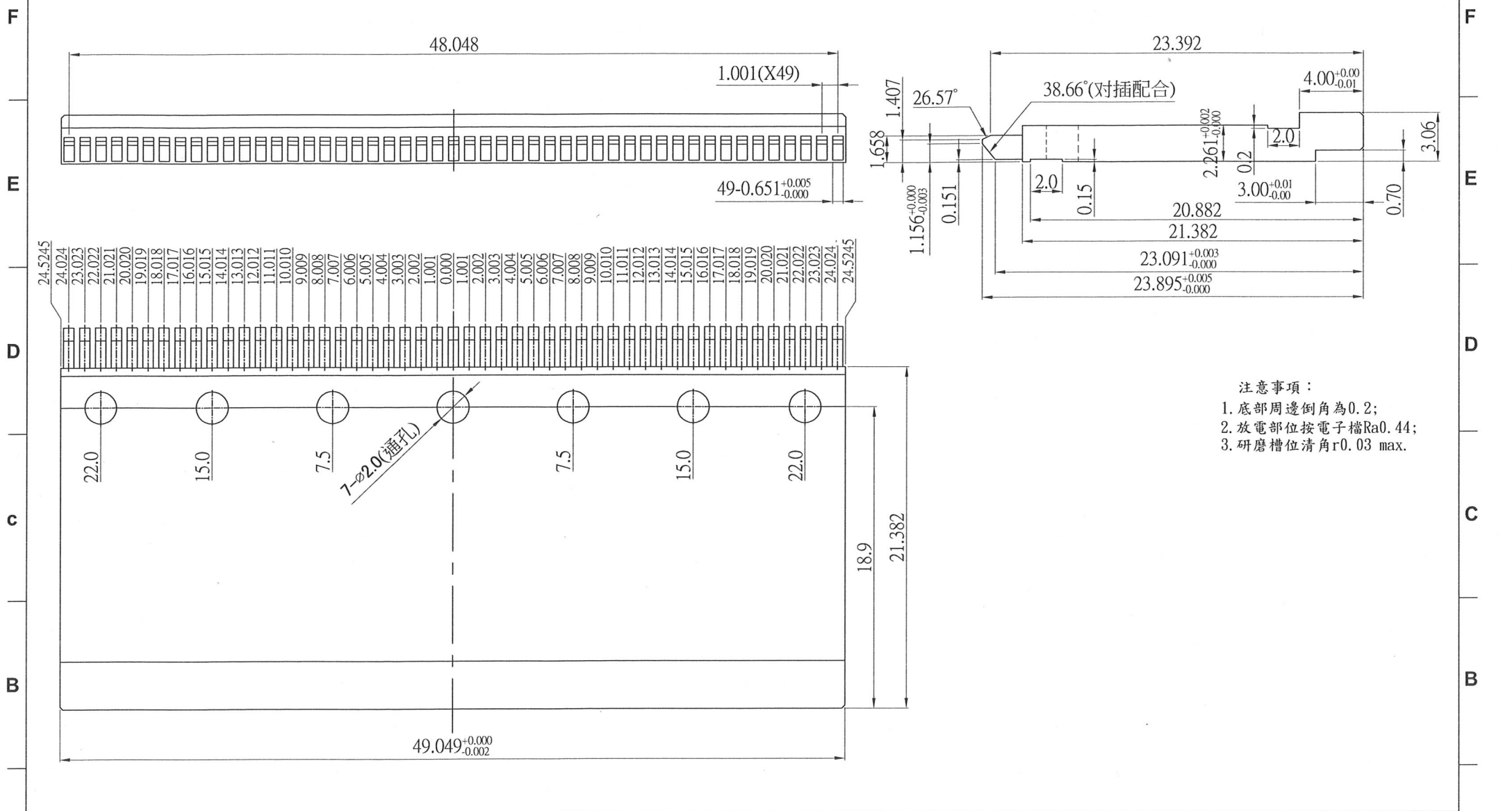


REV.	ECN NO. / DESCRIPTION	DATE
A		2020/04/17



- 注意事項：
1. 底部周邊倒角為0.2;
 2. 放電部位按電子檔Ra0.44;
 3. 研磨槽位清角r0.03 max.

A	GENERAL TOLERANCES UNLESS SPECIFIED		DRAWN BY	CHECKED BY	APPROVED BY	Q'TY	FINISH	MATERIAL	TITLE	CAYMAN MOULD TECH. CO.,LTD		
	.X ±0.05	.X° ±1°	2020/04/17			5	HRC52°~54°	ASSAB_VIKING(超深冷)	PCI-E4.0 SMT加高型 164Pin Housing 母模仁	SHEET	SCALE	REV
	.XX ±0.01	.X° ±0.5°				SIZE	UNITS	PART NO.	DWG NO.			
	.XXX ±0.005	.XX° ±0.1°				A4	MM	BPCI0635-P001	051			
.XXXX ±0.002	.XXX° ±0.05°											
	1	2	3	4	5	6	7	8				