

1

2

3

4

5

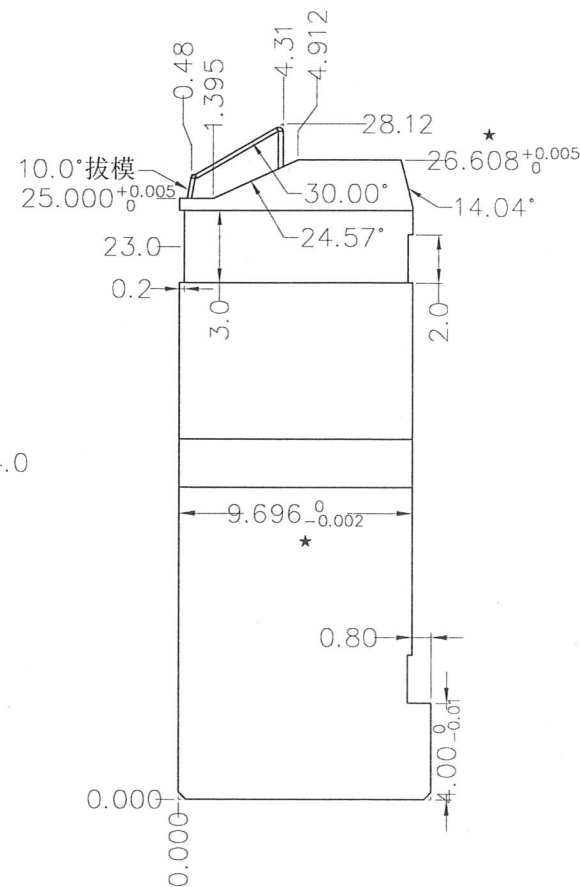
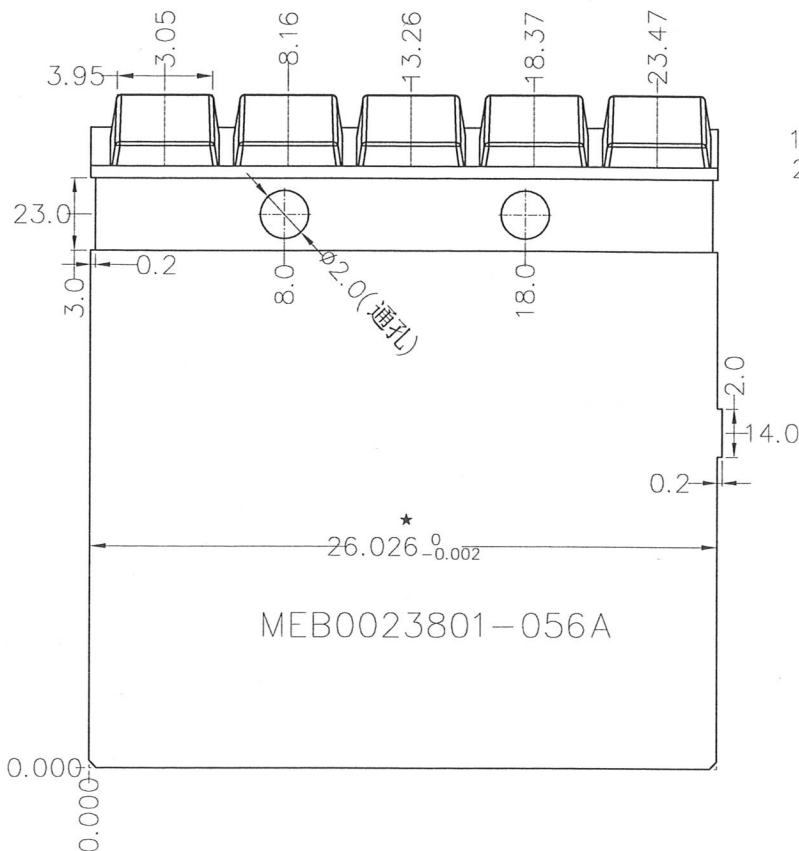
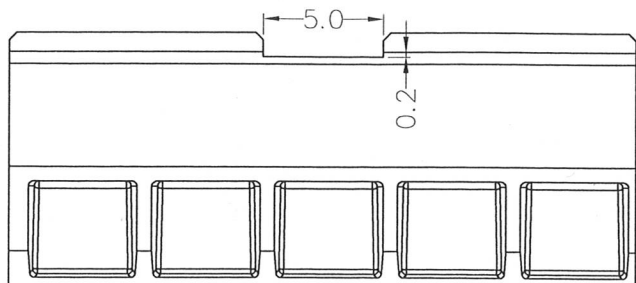
6

7

8

REV.	ECN NO. / DESCRIPTION	DATE
A		2020.12.03

- 注意:
 1. 未註倒角C0.3
 2. 未標註放電尺寸按3D +/-0.01MM加工
 3. 放電要求: 亞鏡面RA0.3
 4. 如圖刻零件編號



GENERAL TOLERANCES UNLESS SPECIFIED

DRAWN BY

CHECKED BY

APPROVED BY

Q'TY

FINISH

MATERIAL

TITLE

PCI-E 4.0RA SMT 98PIN CAP

CARMAN MOULD TECHN. CO

ATD

.X ±0.05 X'±1'

BILL

3

HRC56~58

VIKING

INSERT PART

.XX±0.01 .X'±0.5'

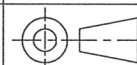
2020.12.03

SIZE

UNITS

PART NO.

DWG NO.



SHEET 1/1

SCALE 1:1

REV A

.XXX ±0.00 XXX'±0.1'

.XXXX ±0.00 XXX'±0.05'

1

2

3

4

5

6

7

8