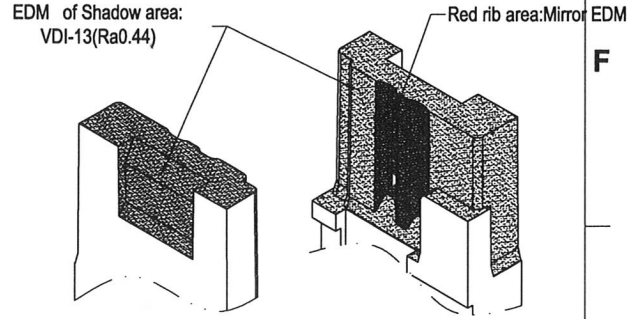
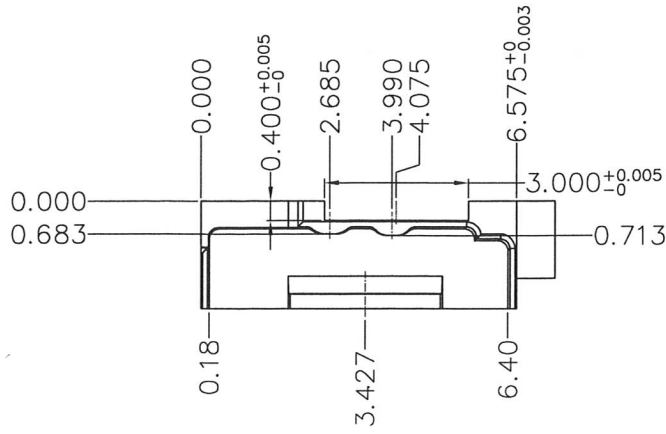


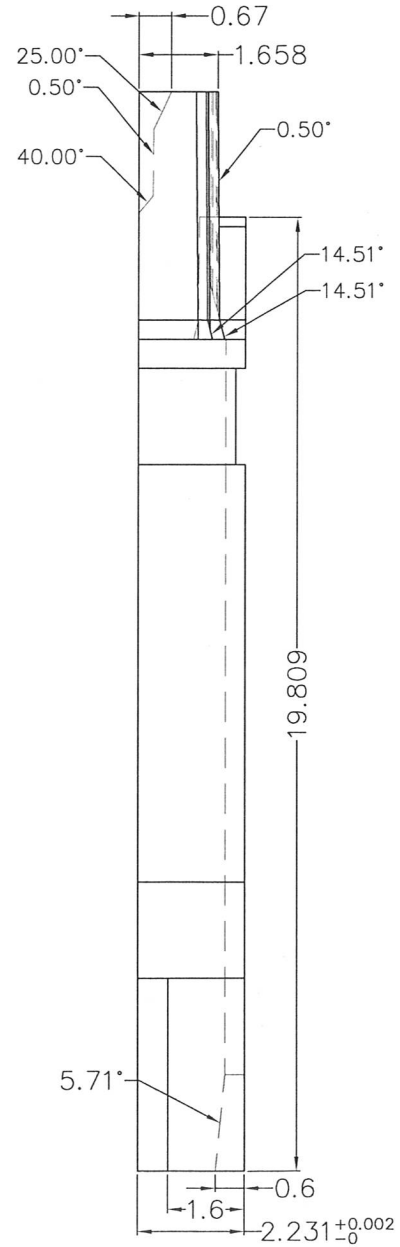
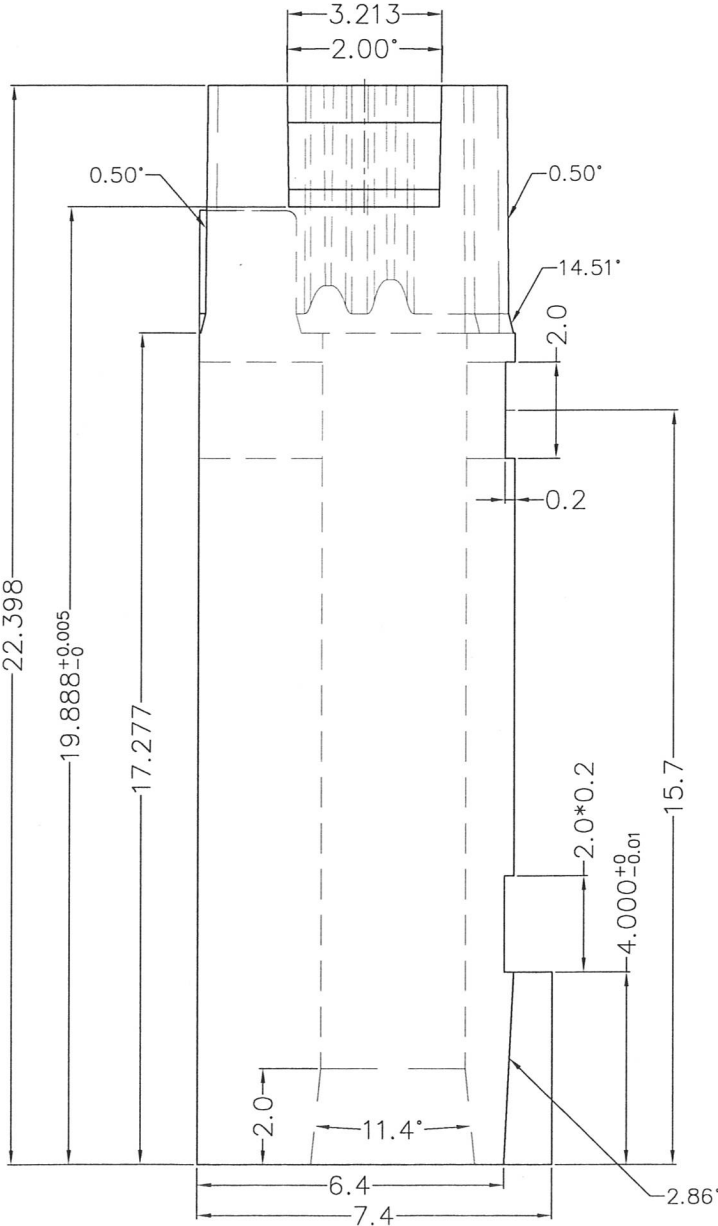
REV.	ECN NO. / DESCRIPTION	DATE
A	RA20062	20.12.31

F



F

E



E

D

D

C

C

B

B

A

A

GENERAL TOLERANCES UNLESS SPECIFIED		MATERIAL VIKING	PART NO. P001CC	CAYMAN MOULD TECH. CO.,LTD		
LINEAR .X ±0.05	ANGLE .X° ±1°	FINISH HRC54~56°	APPROVED BY	TITLE X2094 HDMI CAP Core Insert		
.XX ±0.01	.X° ±0.5°	UNITS MM	CHECKED BY	DWG NO. 211		
.XXX ±0.005	.XX° ±0.1°	SIZE A4	QTY 2 PCS	DRAWN BY	SHEET 1 /	SCALE 1 1:0.15
.XXXX ±0.002	.XXX° ±0.05°				REV A	

1

2

3

4