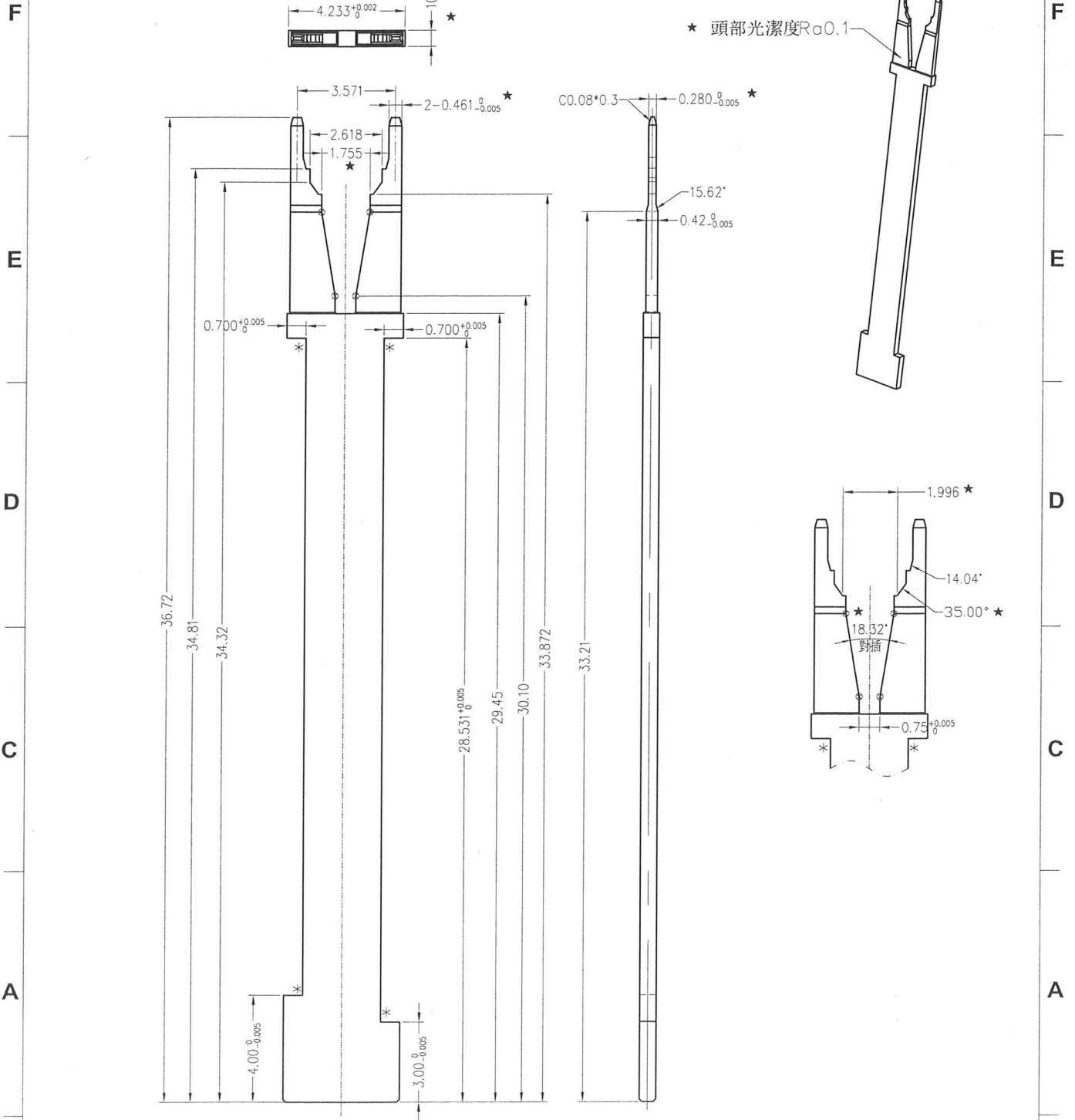


1 2 3 4

REV.	ECN NO. / DESCRIPTION	DATE
A		20.12.07



GENERAL TOLERANCES UNLESS SPECIFIED		MATERIAL	PART NO.	CAYMAN MOULD TECHN. CO.,LTD			
LINEAR	ANGLE	VIKING	BGNZ0048				
.X ±0.05	X.° ±1°	FINISH	APPROVED AY	TITLE GENZ 1C IM CORE INSERT			
.XX ±0.01	.X° ±0.5°	HRC52~54	CHECKED AY	DWG NO. 058			
.XXX ±0.005	.XX° ±0.1°	UNITS	DRAWN AY		SHEET	SCALE	REV
.XXXX ±0.002	.XXX° ±0.05°	MM	BILL		1/1	1:1	A
SIZE	QTY						
A4	18						

1 2 3 4