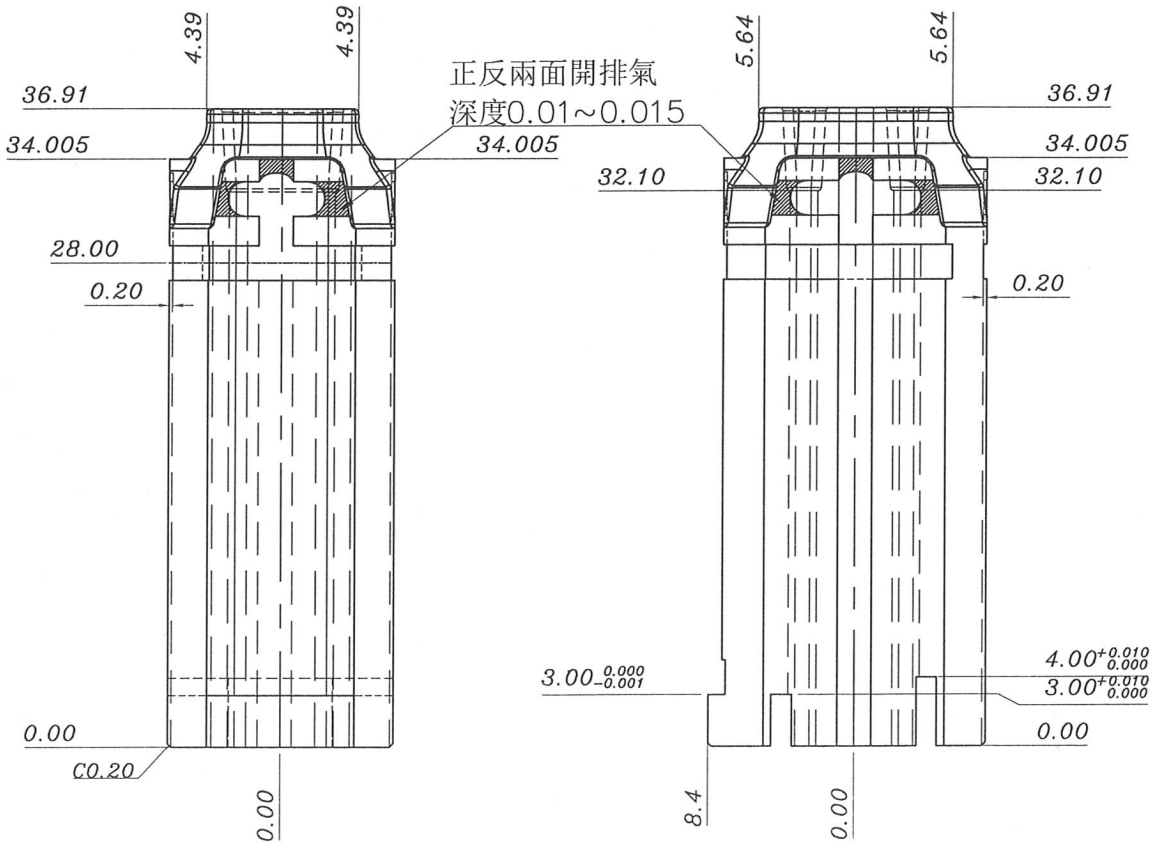
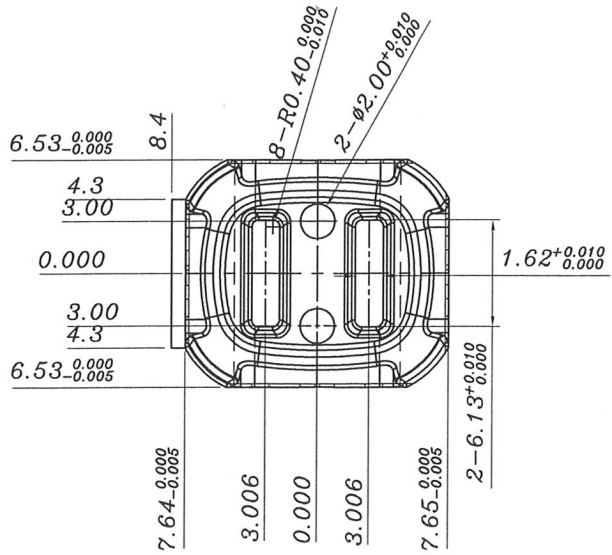
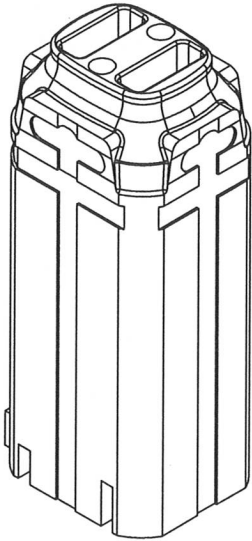


注: 1. 所有*溝槽清角 R MAX 0.03mm;
 2. 所有放電處菱角不允許有塌邊;
 3. 所有放電部份面粗糙度在 Ra<0.90μm 以下.
 **: 工件049與050配割
 為註尺寸公差0.01

REV.	ECN NO.	CHANGE CONTENT	DATE
A	RZ20081		2020.12.25



GENERAL TOLERANCES UNLESS SPECIFIED		MATERIAL SKD61		PART NO. BAUT0167-K001CC		CAYMAN MOULD TECHN. CO.,L									
LINEAR	ANGLE	FINISH HRC 50~53'		APPROVED BY		TITLE 4pin vertical header housing CORE INSERT									
.X ±0.05	X.°±1°	UNITS MM		CHECKED BY		DWG NO. 049									
.XX ±0.01	.X°±0.5°	SIZE A4		Q'TY 2PCS		DRAWN BY BILL		2020/12/25		SHEET 1/1		SCALE 1/1		REV A	
.XXX ±0.005	.XX°±0.1°														
.XXXX ±0.002	.XXX°±0.05°														

1 | 1 | 2 | Y | 3 | 1 | 4