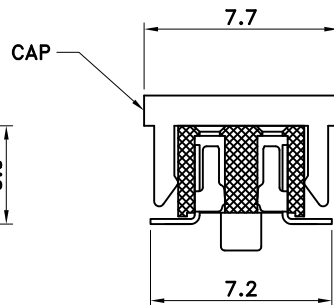
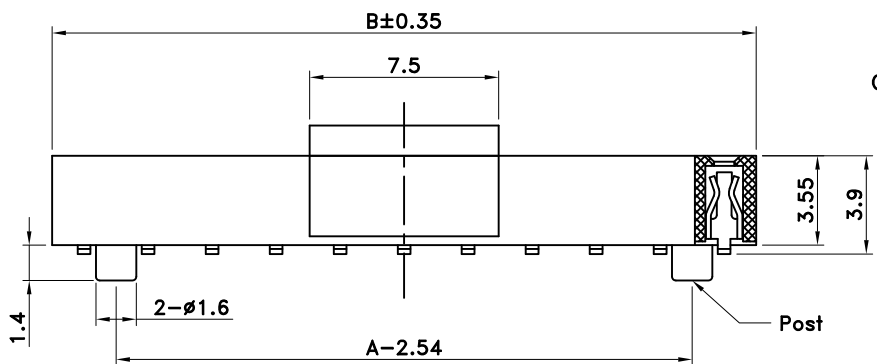
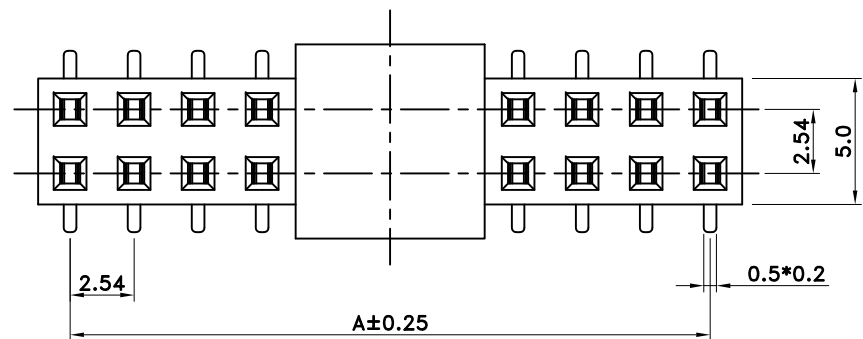


Recommended PCB Layout
General Tolerance ± 0.05



■SPECIFICATIONS

- Current Rating : 3A AC/DC
- Withstanding Voltage : 500V AC/minute
- Insulation Resistance : 1,000m Ω min
- Temperature Range : - 40°C to + 105°C
- Contact Resistance : 20m Ω max

■FEMALE HEADER

- Part No. : GJS-1168SM4GX-XX X(S1) /X
① ② ③ ④
- ① Blank : Without Cap
C : With Cap
- ② Poles : 04~80
- ③ Blank : Without Post
P : With Post
- ④ Packing : /A : Tube
/ R : Tape & Reel
- Material : Contact : Phosphor Bronze, Gold Flash
Base : Nylon 6T UL-94V-0

Poles	Dimensions		Poles	Dimensions	
	A	B		A	B
04	2.54	5.08	44	53.34	55.88
06	5.08	7.62	46	55.88	58.42
08	7.62	10.16	48	58.42	60.96
10	10.16	12.70	50	60.96	63.50
12	12.70	15.24	52	63.50	66.04
14	15.24	17.78	54	66.04	68.58
16	17.78	20.32	56	68.58	71.12
18	20.32	22.86	58	71.12	73.66
20	22.86	25.40	60	73.66	76.20
22	25.40	27.94	62	76.20	78.74
24	27.94	30.48	64	78.74	81.28
26	30.48	33.02	66	81.28	83.82
28	33.02	35.56	68	83.82	86.36
30	35.56	38.10	70	86.36	88.90
32	38.10	40.64	72	88.90	91.44
34	40.64	43.18	74	91.44	93.98
36	43.18	45.72	76	93.98	96.52
38	45.72	48.26	78	96.52	99.06
40	48.26	50.80	80	99.06	101.60
42	50.80	53.34			



东莞乔唯电子有限公司
DONGGUAN CHYAO WEI
ELECTRONIC CO., LTD

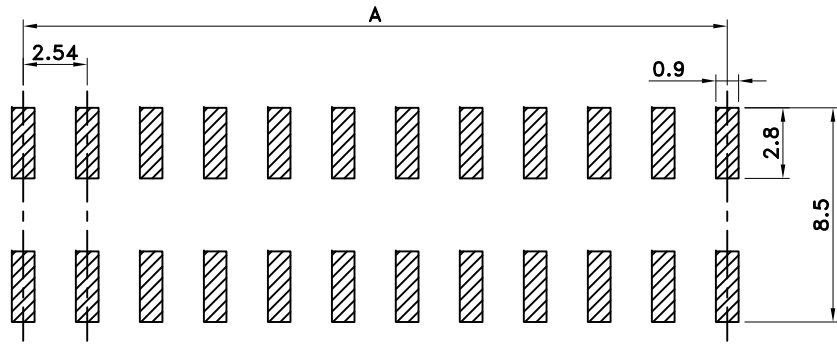
APPROVED BY	SCALE	UNIT	TOLERANCE	LTR	REVISION RECORD	NAME	DATE	LTR	REVISION RECORD	NAME	DATE
張育瑞		mm	.0 ±0.30	△				△			
CHECKED BY	PROJ	VER NO.	.00 ±0.20	△				△			
曾慶根		a	.000 ±0.10	△				△			
DRAWN BY	DATE	SIZE	ANGLE	△							
曾慶根	2024/01/05	A4	0° ±1°	△							
			.0° ±	△							
			SHEET 1/1	△							

PART NO GJS-1168SM4GX-XXX(S1)XX

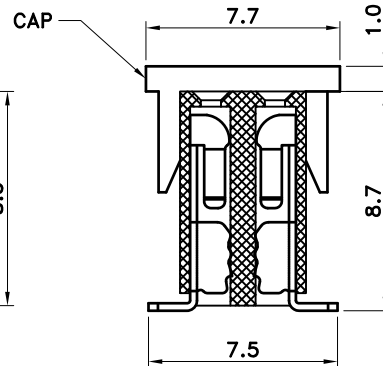
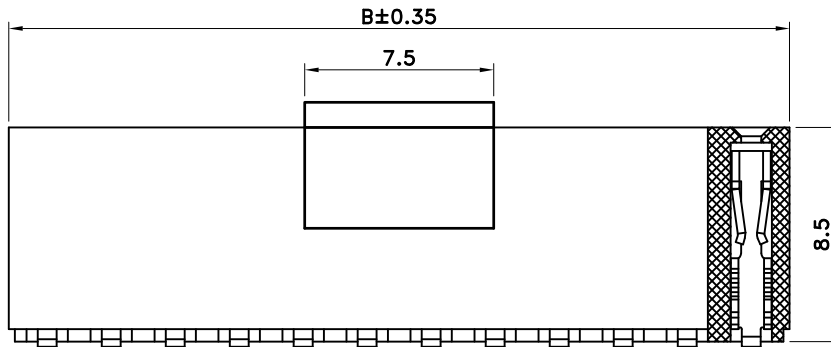
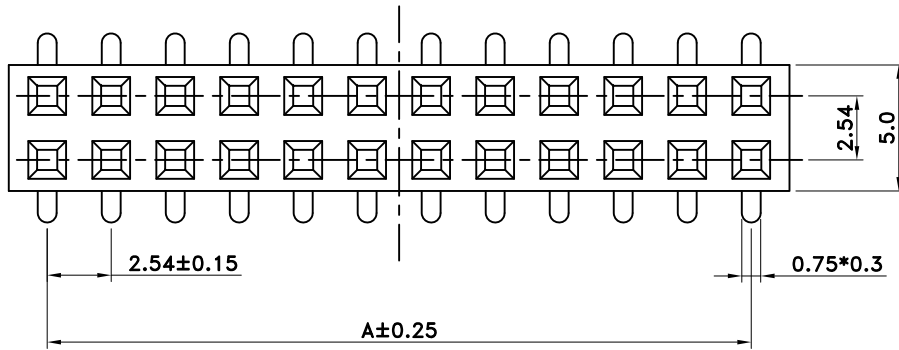
2.54mm Female Header

CUSTOMER

Conforms to The RoHS Instruction



Recommended PCB Layout
General Tolerance ± 0.05



■ **SPECIFICATIONS**

- Current Rating : 3A AC/DC
- Withstanding Voltage : 500V AC/minute
- Insulation Resistance : 1,000M Ω min
- Temperature Range : -40 $^{\circ}$ C to + 105 $^{\circ}$ C
- Contact Resistance : 20m Ω max

■ **FEMALE HEADER**

- Part No. : GJS-1168SM4GX-XX(S2)XX

Product Code

① ② ③

① Blank : Without Cap

C : With Cap

② Poles : 04~64

③ Packing : /A : Tube

/ R : Tape & Reel<10P(含)以下貼麥拉>

•Material :

1. Contact : Brass , Gold Flash
2. Base : Nylon 6T UL94V-0

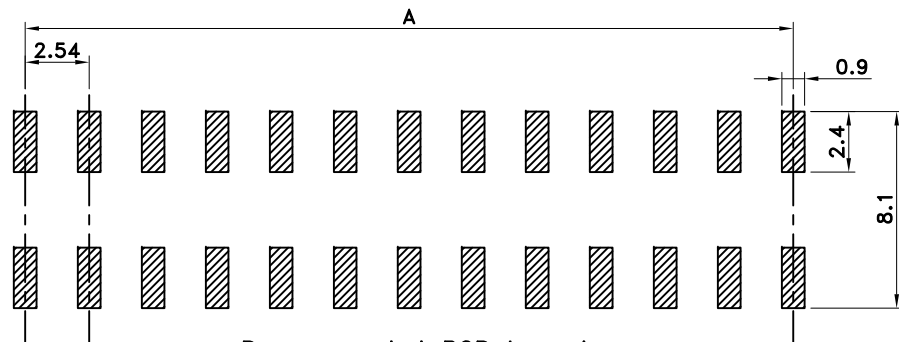
Poles	Dimenslons (mm)		Poles	Dimenslons (mm)	
	A	B		A	B
04	2.54	5.58	36	43.18	46.22
06	5.08	8.12	38	45.72	48.76
08	7.62	10.66	40	48.26	51.30
10	10.16	13.20	42	50.80	53.84
12	12.70	15.74	44	53.34	56.38
14	15.24	18.28	46	55.88	58.92
16	17.78	20.82	48	58.42	61.46
18	20.32	23.36	50	60.96	64.00
20	22.86	25.90	52	63.50	66.54
22	25.40	28.44	54	66.04	69.08
24	27.94	30.98	56	68.58	71.62
26	30.48	33.52	58	71.12	74.16
28	33.02	36.06	60	73.66	76.70
30	35.56	38.60	62	76.20	79.24
32	38.10	41.14	64	78.74	81.78
34	40.64	43.68			



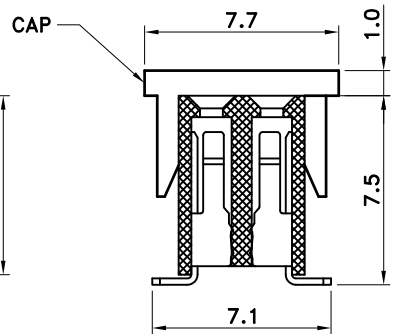
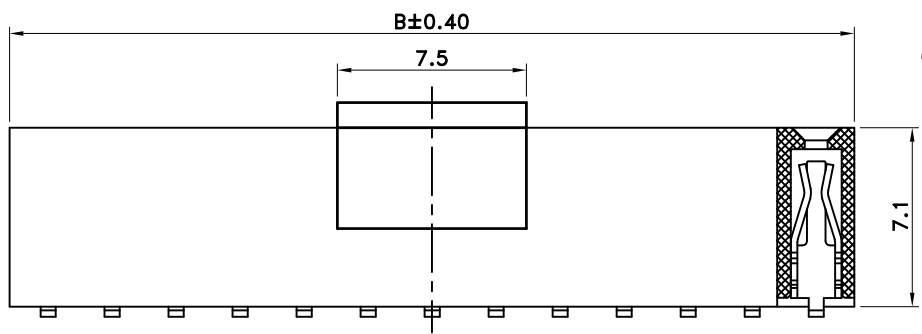
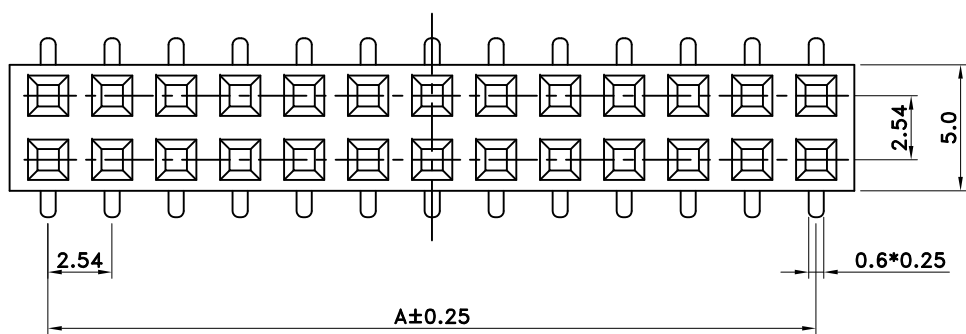
东莞乔唯电子有限公司
DONGGUAN CHYAO WEI
ELECTRONIC CO., LTD

APPROVED BY	SCALE	UNIT	TOLERANCE	LTR	REVISION RECORD	NAME	DATE	LTR	REVISION RECORD	NAME	DATE
張育瑞		mm	.0 ±0.30	△				△			
CHECKED BY	PROJ	VER NO.	.00 ±0.20	△				△			
曾慶根	⊕	a	.000 ±0.10	△				△			
DRAWN BY	DATE	SIZE	ANGLE	△					CUSTOMER		
曾慶根	2024/01/05	A4	0° ±1°	△					Conforms to The RoHS Instruction		
			.0° ±	△							
			SHEET 1/1	△							

PART NO GJS-1168SM4GX-XX(S2)XX
2.54mm Female Header



Recommended PCB Layout
General Tolerance ± 0.05



■SPECIFICATIONS

- Current Rating : 3A AC/DC
- Withstanding Voltage : 500V AC/minute
- Insulation Resistance : 1,000m Ω min
- Temperature Range : - 40°C to + 105°C
- Contact Resistance : 20m Ω max

■FEMALE HEADER

• Part No. : GJS-1168SM4GX-XX (S3) /X
① ② ③

- ① Blank : Without Cap
C : With Cap
- ② Poles : 04~64
- ③ Packing : /A : Tube
/ R : Tape & Reel<10P(含)以下貼麥拉>
- Material : Contact : Phosphor Bronze, Gold Flash
Base : Nylon 6T UL-94V-0

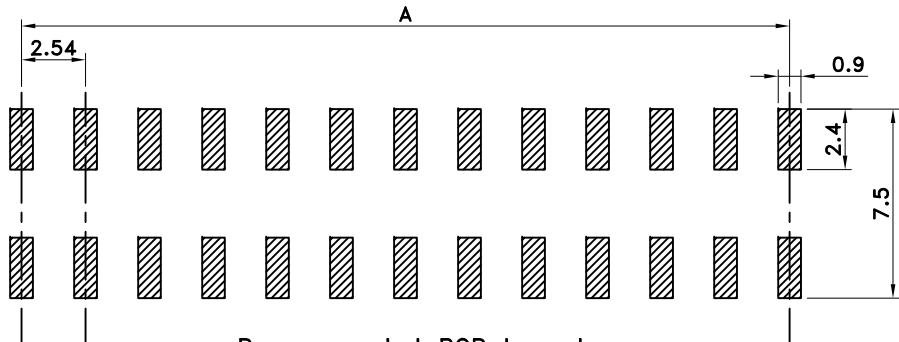
Poles	Dimensions (mm)		Poles	Dimensions (mm)	
	A	B		A	B
04	2.54	5.58	36	43.18	46.22
06	5.08	8.12	38	45.72	48.76
08	7.62	10.66	40	48.26	51.30
10	10.16	13.20	42	50.80	53.84
12	12.70	15.74	44	53.34	56.38
14	15.24	18.28	46	55.88	58.92
16	17.78	20.82	48	58.42	61.46
18	20.32	23.36	50	60.96	64.00
20	22.86	25.90	52	63.50	66.54
22	25.40	28.44	54	66.04	69.08
24	27.94	30.98	56	68.58	71.62
26	30.48	33.52	58	71.12	74.16
28	33.02	36.06	60	73.66	76.70
30	35.56	38.60	62	76.20	79.24
32	38.10	41.14	64	78.74	81.78
34	40.64	43.68			

DGCW 东莞乔唯电子有限公司
DONGGUAN CHYAO WEI
ELECTRONIC CO., LTD

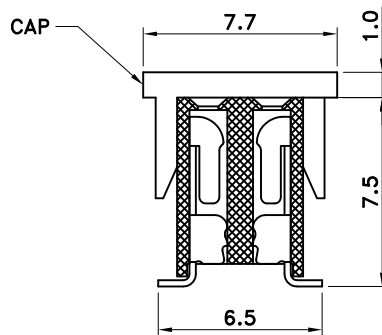
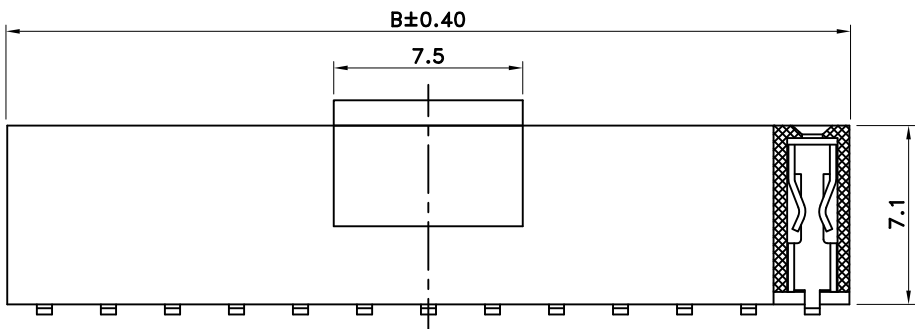
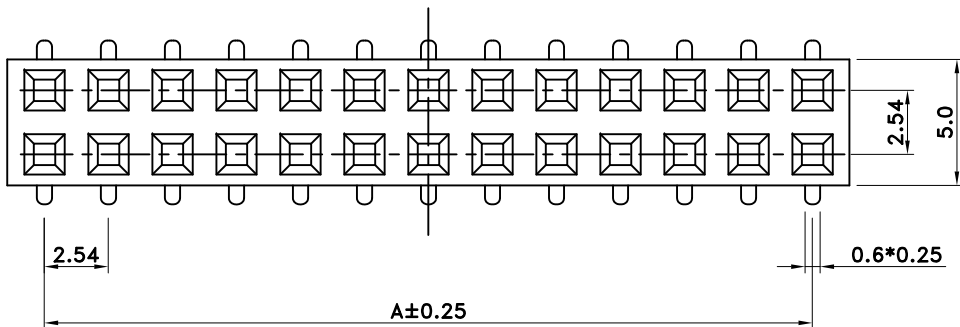
APPROVED BY	SCALE	UNIT	TOLERANCE	LTR	REVISION RECORD	NAME	DATE	LTR	REVISION RECORD	NAME	DATE
張育瑞		mm	.0 ±0.30	△				△			
CHECKED BY	PROJ	VER NO.	.00 ±0.20	△				△			
曾慶根		a	.000 ±0.10	△				△			
DRAWN BY	DATE	SIZE	ANGLE	△							
曾慶根	2024/01/05	A4	0° ±1°	△							
			.0° ±	△							
			SHEET 1/1	△							

PART NO GJS-1168SM4GX-XXX(S3)XX
2.54mm Female Header

CUSTOMER
Conforms to The RoHS Instruction



Recommended PCB Layout
General Tolerance ± 0.05



■SPECIFICATIONS

- Current Rating : 3A AC/DC
- Withstanding Voltage : 500V AC/minute
- Insulation Resistance : 1,000m Ω min
- Temperature Range : - 40°C to + 105°C
- Contact Resistance : 20m Ω max

■FEMALE HEADER

• Part No. : GJS-1168SM4GX-XX (S4)/X
① ② ③

- ① Blank : Without Cap
C : With Cap
- ② Poles : 04~64
- ③ Packing : /A : Tube
/ R : Tape & Reel<10P(含)以下貼麥拉>
- Material : Contact : Phosphor Bronze, Gold Flash
Base : Nylon 6T UL-94V-0

Poles	Dimensions (mm)		Poles	Dimensions (mm)	
	A	B		A	B
04	2.54	5.48	36	43.18	46.12
06	5.08	8.02	38	45.72	48.66
08	7.62	10.56	40	48.26	51.20
10	10.16	13.10	42	50.80	53.74
12	12.70	15.64	44	53.34	56.28
14	15.24	18.18	46	55.88	58.82
16	17.78	20.72	48	58.42	61.36
18	20.32	23.26	50	60.96	63.90
20	22.86	25.80	52	63.50	66.44
22	25.40	28.34	54	66.04	68.98
24	27.94	30.88	56	68.58	71.52
26	30.48	33.42	58	71.12	74.06
28	33.02	35.96	60	73.66	76.60
30	35.56	38.50	62	76.20	79.14
32	38.10	41.04	64	78.74	81.68
34	40.64	43.58			

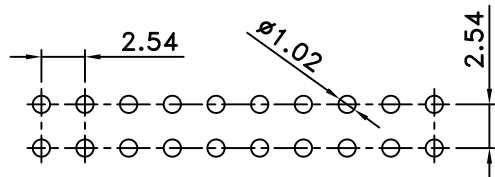


东莞乔唯电子有限公司
DONGGUAN CHYAO WEI
ELECTRONIC CO., LTD

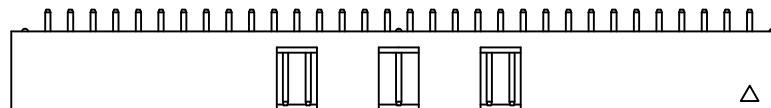
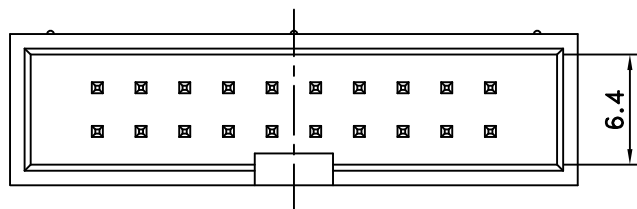
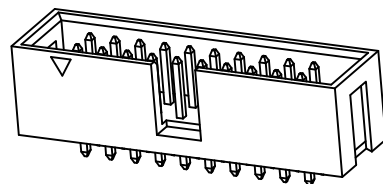
APPROVED BY	SCALE	UNIT	TOLERANCE	LTR	REVISION RECORD	NAME	DATE	LTR	REVISION RECORD	NAME	DATE
張育瑞		mm	.0 ±0.30	△				△			
CHECKED BY	PROJ	VER NO.	.00 ±0.20	△				△			
曾慶根	⊕	a	.000 ±0.10	△				△			
DRAWN BY	DATE	SIZE	ANGLE	△					CUSTOMER		
曾慶根	2024/01/05	A4	0° ±1°	△					Conforms to The RoHS Instruction		
			.0° ±	△							
			SHEET 1/1	△							

PART NO GJS-1168SM4GX-XXX(S4)XX

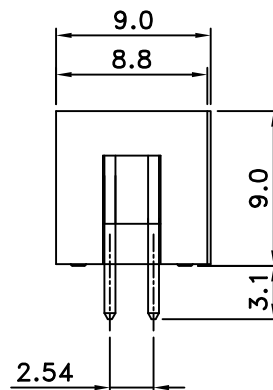
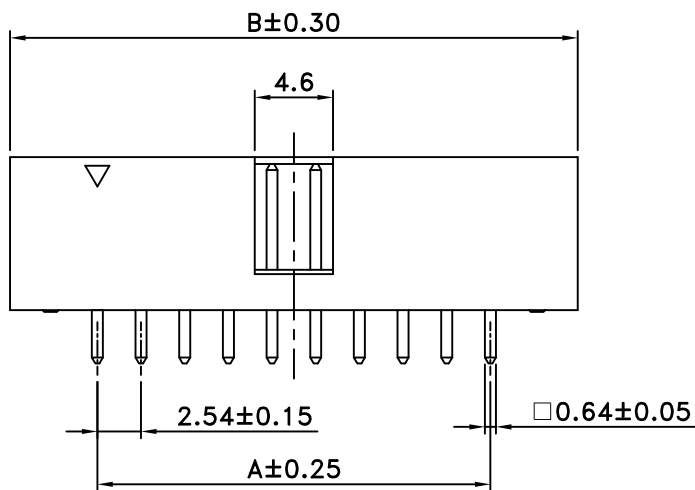
2.54mm Female Header



Recommend PCB Layout
General tolerance ±0.05



64P(3個窗口)




■ SPECIFICATIONS

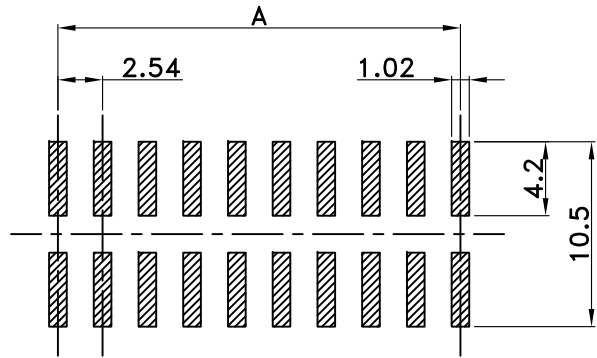
- Voltage Rating : 250 V AC/DC
- Current Rating : 3A AC/DC
- Withstanding Voltage : 1000V AC/minute
- Insulation Resistance : 1000MΩ min
- Temperature Range : 1.PBT -40°C ~ +85°C
2.Nylon 6T -25°C ~ +105°C
- Contact Resistance : 20mΩ max

■ BOX HEADER

- Part No. : JS-12002-XX (XX)
① ②
- ① Poles : 06~64(DIP, Straight)
- ② Blank : PBT UL94V-0, Narute Color : Black
6TNH : Nylon 6T UL94V-0, Narute Color : Black
Halogen Free
- Material : Contact : Brass, Gold Flash
Base : Refer the above narrative
- Packing : Box
- Mating Housing : GJS-ID2543XX&1166XBXX&1105X&-XX

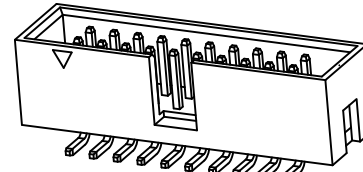
Poles	Dimensions (mm)	
	A	B
06	5.08	15.24
08	7.62	17.78
10	10.16	20.32
12	12.70	22.86
14	15.24	25.40
16	17.78	27.94
20	22.86	33.02
24	27.94	38.10
26	30.48	40.64
30	35.56	45.72
34	40.64	50.80
40	48.26	58.42
44	53.34	63.50
50	60.96	71.12
60	73.66	83.82
64	78.74	88.90

 东莞乔唯电子有限公司 DONGGUAN CHYAO WEI ELECTRONIC CO., LTD	APPROVED BY	SCALE	UNIT	TOLERANCE	LTR	REVISION RECORD	NAME	DATE	LTR	REVISION RECORD	NAME	DATE
	張育瑞		mm	.0 ±0.30	▲							
PART NO	GJS-12002-XX	CHECKED BY	PROJ	VER NO.								
		曾慶根		a0	.00 ±0.20	▲						
2.54mm Box Headers DIP Type(Straight)		DRAWN BY	DATE	SIZE								
		曾慶根	2023/07/27	A4	.000 ±0.10	▲						
										CUSTOMER		
										Conforms to The RoHS Instruction		
				ANGLE								
				0° ±1°	▲							
				0° ±	▲							
				SHEET	1/1	▲						

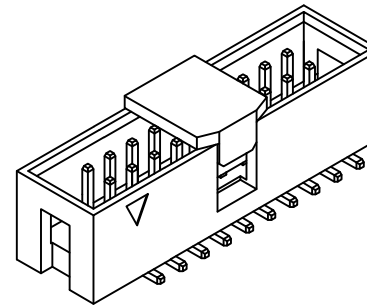


Recommended PCB Layout(Top View)

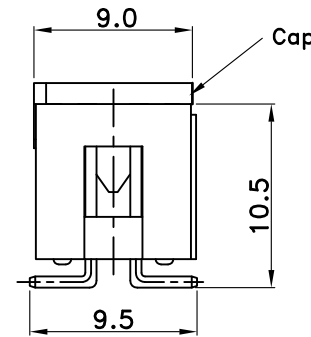
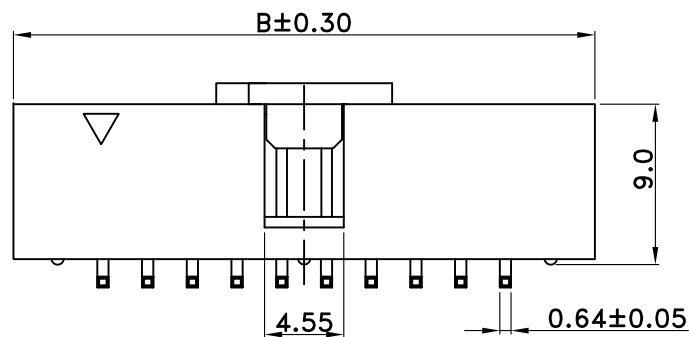
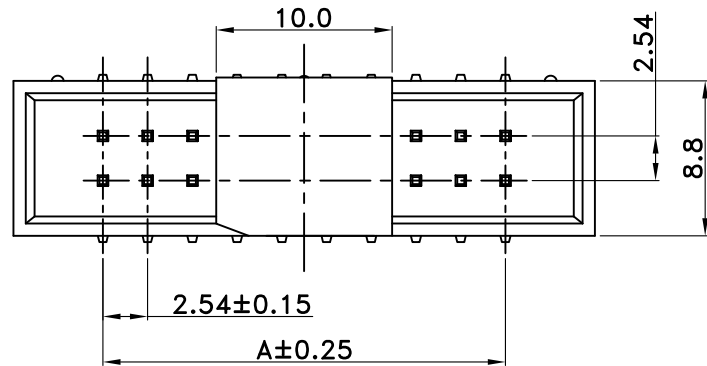
General tolerance ± 0.05



GJS-1200D2-XX



GJS-1200D2-XX/R



■ SPECIFICATIONS

- Current Rating : 3A AC/DC
- Withstanding Voltage : 1000V AC/minute
- Insulation Resistance : 1000M Ω min
- Temperature Range : - 40°C to + 105°C
- Contact Resistance : 20m Ω max

■ BOX HEADER

· Part No. : GJS-1200D2-XX X

Product Code: ① ②

① Poles : 06-64(SMT)

② 包装: Blank : 透明盒装

/R : 卷装Reel+吸盖Cap

· Material : Contact : Brass, Gold Flash

Base : Nylon 6TUL94V-0

Poles	Dimensions (mm)	
	A	B
06	5.08	15.24
08	7.62	17.78
10	10.16	20.32
12	12.70	22.86
14	15.24	25.40
16	17.78	27.94
20	22.86	33.02
24	27.94	38.10
26	30.48	40.64
30	35.56	45.72
34	40.64	50.80
40	48.26	58.42
44	53.34	63.50
50	60.96	71.12
60	73.66	83.82
64	78.74	88.90



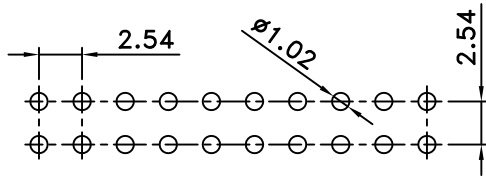
东莞乔唯电子有限公司
DONGGUAN CHYAO WEI
ELECTRONIC CO., LTD

APPROVED BY	SCALE	UNIT	TOLERANCE	LTR	REVISION RECORD	NAME	DATE	LTR	REVISION RECORD	NAME	DATE
张育瑞		mm	.0 ± 0.30	△				△			
CHECKED BY	PROJ	VER NO.	.00 ± 0.20	△				△			
曾庆根		a0	.000 ± 0.10	△				△			
DRAWN BY	DATE	SIZE	ANGLE	△							
曾庆根	2015/10/23	A4	0° $\pm 1^\circ$	△							
			.0° \pm	△							
			SHEET 1/1	△							

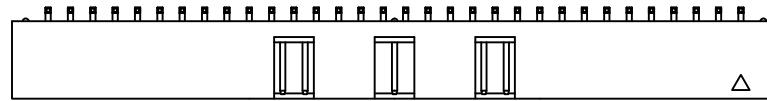
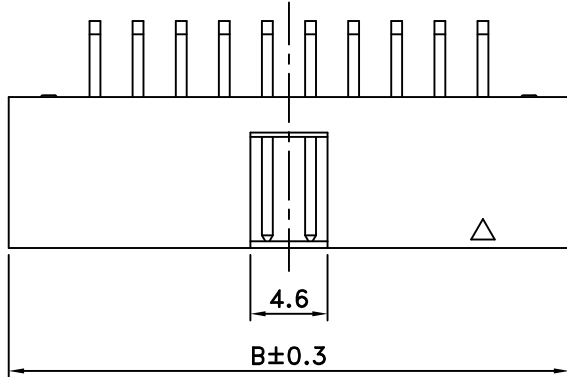
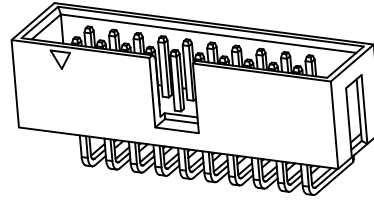
PART NO GJS-1200D2-XX
2.54mm Box Headers SMT Type

CUSTOMER

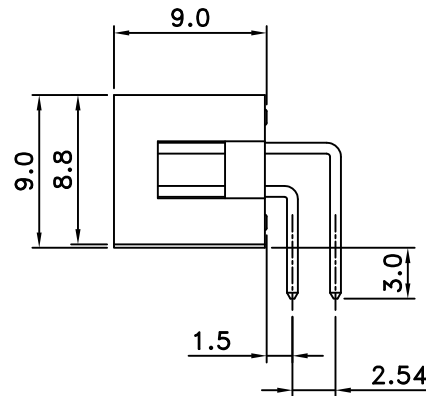
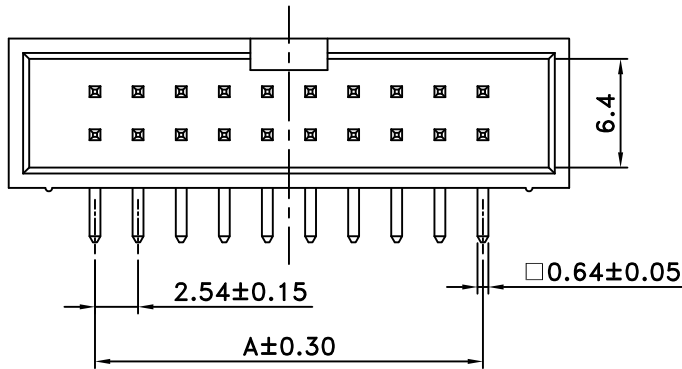
Conforms to The RoHS Instruction



Recommend PCB Layout
General tolerance ± 0.05



64P(3個窗口)



■ SPECIFICATIONS

- Voltage Rating : 250 V AC/DC
- Current Rating : 3A AC/DC
- Withstanding Voltage : 1000V AC/minute
- Insulation Resistance : 1000M Ω min
- Temperature Range : 1.PBT -40 $^{\circ}$ C ~ +85 $^{\circ}$ C
2.Nylon 6T -25 $^{\circ}$ C ~ +105 $^{\circ}$ C
- Contact Resistance : 20m Ω max

■ BOX HEADER

- Part No. : JS-1200R2-XX (XX)

① ②

- ① Poles : 06~64(DIP, Right Angle)
- ② Blank : PBT UL94V-0, Narute Color : Black
6TNH : Nylon 6T UL94V-0, Narute Color : Black
Halogen Free
- Material : Contact : Brass, Gold Flash
Base : Refer the above narrative
- Packing : Box
- Mating Housing : GJS-ID2543XX&1166XBXX&1105X&-XX

Poles	Dimensions (mm)	
	A	B
06	5.08	15.24
08	7.62	17.78
10	10.16	20.32
12	12.70	22.86
14	15.24	25.40
16	17.78	27.94
20	22.86	33.02
24	27.94	38.10
26	30.48	40.64
30	35.56	45.72
34	40.64	50.80
40	48.26	58.42
44	53.34	63.50
50	60.96	71.12
60	73.66	83.82
64	78.74	88.90



东莞乔唯电子有限公司
DONGGUAN CHYAO WEI
ELECTRONIC CO., LTD

APPROVED BY	SCALE	UNIT	TOLERANCE	LTR	REVISION RECORD	NAME	DATE	LTR	REVISION RECORD	NAME	DATE
張育瑞		mm	.0 ± 0.30	\triangle							
CHECKED BY	PROJ	VER NO.	.00 ± 0.20	\triangle							
曾慶根	\odot \square	a0	.000 ± 0.10	\triangle							
DRAWN BY	DATE	SIZE	ANGLE	\triangle							
曾慶根	2023/07/27	A4	0 $^{\circ}$ $\pm 1^{\circ}$	\triangle							
			.0 $^{\circ}$ \pm	\triangle							
			SHEET 1/1	\triangle							

PART NO GJS-1200R2-XX
2.54mm Box Headers DIP Type(Right Angle)

CUSTOMER
Conforms to The RoHS Instruction