

SPECIFICATIONS

- Current Rating : 0.8A AC/DC
- Voltage Rating : 30V DC
- Withstanding Voltage : 200V AC/minute
- Insulation Resistance : 100MΩ min. initial
- Temperature Range : - 25°C to + 85°C
- Contact Resistance : 20mΩ max.

IDC HOUSING

- Part Code : GJS-ID10001-XX XX
① ②

- ① Poles : 02~16
- ② Plating : Blank : Gold Flash(常規品)
TP : Tin Plated

- Material :
 1. Contact : Phosphorous Bronze
 2. Base : Nylon 66 UL 94V-0,
- Applicable Wire: AWG 30~32
- Insulation O.D. : $\phi 0.52\sim 0.56\text{mm}$
- Packaging: Bag

Poles	Dimensions(mm)		Poles	Dimensions(mm)	
	A	B		A	B
02	1.00	3.00	10	9.00	11.00
03	2.00	4.00	11	10.00	12.00
04	3.00	5.00	12	11.00	13.00
05	4.00	6.00	13	12.00	14.00
06	5.00	7.00	14	13.00	15.00
07	6.00	8.00	15	14.00	16.00
08	7.00	9.00	16	15.00	17.00
09	8.00	10.00			



东莞乔唯电子有限公司
DONGGUAN CHYAO WEI
ELECTRONIC CO., LTD

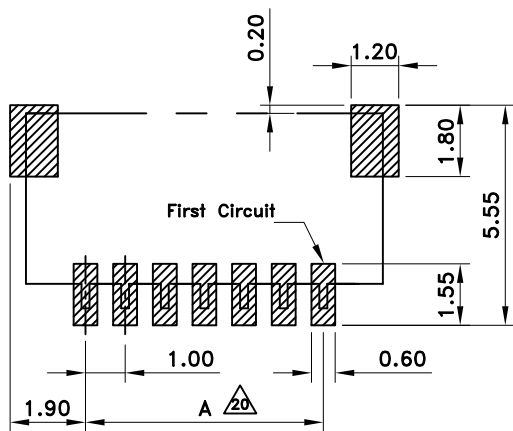
APPROVED BY	SCALE	UNIT	TOLERANCE	LTR	REVISION RECORD	NAME	DATE	LTR	REVISION RECORD	NAME	DATE
張育瑞		mm	.0 ±0.30	△				△			
CHECKED BY	PROJ	VER NO.	.00 ±0.20	△				△			
曾慶根	⊕	a0	.000 ±0.10	△				△			
DRAWN BY	DATE	SIZE	ANGLE	△							
曾慶根	2018/12/07	A4	0° ±1°	△							
			.0° ±	△							
			SHEET 1/1	△							

PART NO GJS-ID10001-XXXX

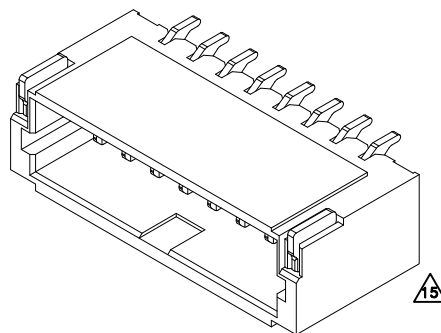
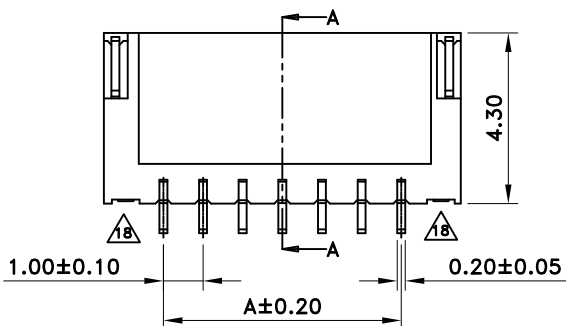
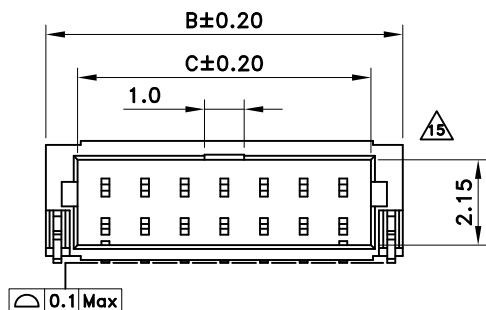
1.00mm WIRE TO BOARD INSULATION DISPLACEMENT CONNECTOR, IDC HOUSING

CUSTOMER

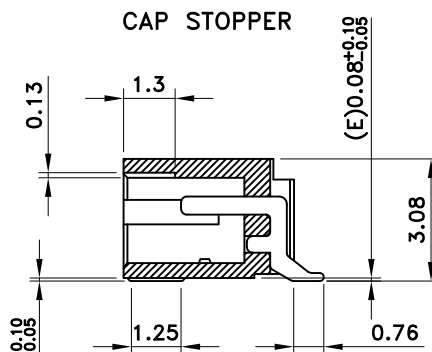
Conforms to The RoHS Instruction



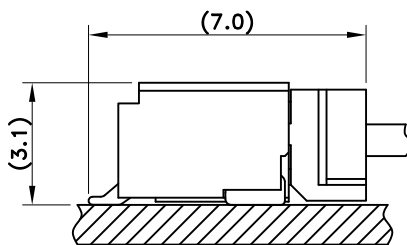
Recommended PCB Layout
General tolerance ± 0.05



3D VIEW



SECTION A-A



ASSEMBLED VIEW

■ SPECIFICATIONS

- Voltage Rating : 50 AC/DC $\triangle 6$
- Current Rating : 1 A AC/DC
- Withstanding Voltage : 500V AC/minute
- Insulation Resistance : 100M Ω min
- Temperature Range : - 25°C to + 85°C
- Contact Resistance : 20m Ω max

■ WAFER

• Part No. : GJS-1254R-XX (XX)-XX-XX

Code No : $\textcircled{1}$ $\textcircled{2}$ $\textcircled{3}$ $\textcircled{4}$

$\textcircled{1}$ Poles : 02~22

$\textcircled{2}$ Plated :

Blank : Tin Plated

G&G0 : Gold Plated $\triangle 7$

NM : Matte-Tin Plated

$\textcircled{3}$ Base Color :

Blank : Nature

BK : Black

$\textcircled{4}$ Base Material : $\triangle 9$

Blank : Nylon 9T UL94V-0

L5 : LCP UL94V-0(Halogen Free) $\triangle 12$

NH : Nylon 6T/66 UL94V-0(Halogen Free) $\triangle 14$ $\triangle 17$

NH1: Nylon 6T UL94V-0, Color : Nature (Halogen Free) $\triangle 21$

• Material :

1. Contact : Phos. Bronze

2. Solder Tab : Brass

3. Base : Refer the above options

• Q' ty : 1,000 pcs./Reel $\triangle 21$

Poles	Dimensions (mm)			Poles	Dimensions (mm)		
	A	B	C		A	B	C
2	1.00	4.00	2.45	13	12.00	15.00	13.45
3	2.00	5.00	3.45	14	13.00	16.00	14.45
4	3.00	6.00	4.45	15	14.00	17.00	15.45
5	4.00	7.00	5.45	16	15.00	18.00	16.45
6	5.00	8.00	6.45	17	16.00	19.00	17.45
7	6.00	9.00	7.45	18	17.00	20.00	18.45
8	7.00	10.00	8.45	19	18.00	21.00	19.45
9	8.00	11.00	9.45	20	19.00	22.00	20.45
10	9.00	12.00	10.45	21	20.00	23.00	21.45
11	10.00	13.00	11.45	22	21.00	24.00	22.45
12	11.00	14.00	12.45				



东莞乔唯电子有限公司
DONGGUAN CHYAO WEI
ELECTRONIC CO., LTD

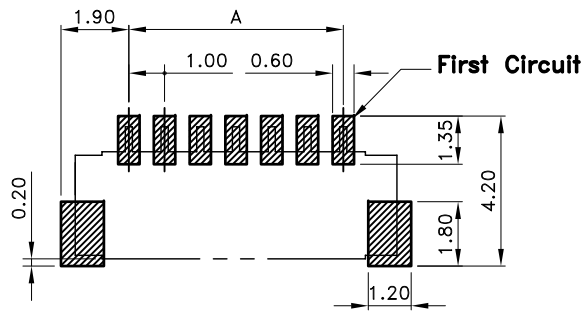
APPROVED BY	SCALE	UNIT	TOLERANCE	LTR	REVISION RECORD	NAME	DATE	LTR	REVISION RECORD	NAME	DATE
張育瑞		mm	.0 ±0.30	$\triangle 6$	修正編碼選項	吳弘文	2013/02/25	$\triangle 21$	增加NH1選項內容說明	曾慶根	2017/11/30
CHECKED BY	PROJ	VER NO.	.00 ±0.20	$\triangle 6$	修改接地片位置	黃廣珍	2013/04/19	$\triangle 21$	刪去蓋帽包裝方式	謝君	2019/11/29
劉娜	$\textcircled{1}$	a23	.000 ±0.10	$\triangle 6$	增列額定電壓	吳弘文	2013/08/08	$\triangle 21$	刪去裝管包裝方式	謝君	2020/06/18
DRWN BY	DATE	SIZE	ANGLE	$\triangle 7$	增加電鍍規格G0及修改NH用料	黃廣珍	2014/03/04				
謝君	2020/06/18	A4	0° ±1°	$\triangle 8$	外觀修正增加模號與穴位缺口	吳弘文	2014/11/17				
			.0° ±	$\triangle 9$	無齒代碼"HF"刪除,與NH重複	鄭小嬌	2015/10/26				
			SHEET	1/1	$\triangle 10$	修正PCB板尺寸標注	曾慶根	2017/01/20			

PART NO GJS-1254R-XX(XX)-XX-XX

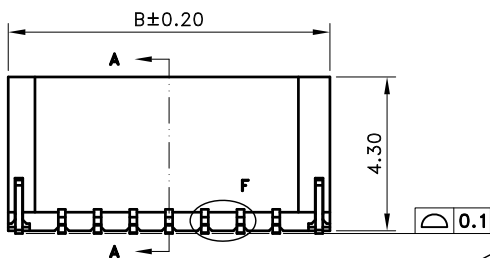
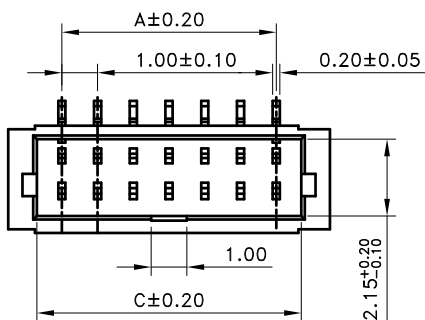
1.00mm WIRE TO BOARD CONNECTOR, SMT & Right Angle

CUSTOMER

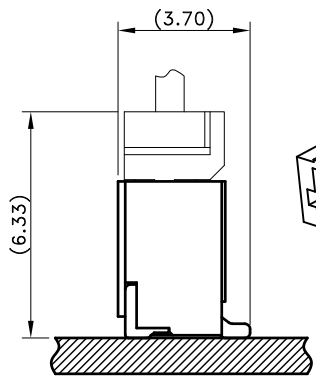
Conforms to The RoHS Instruction



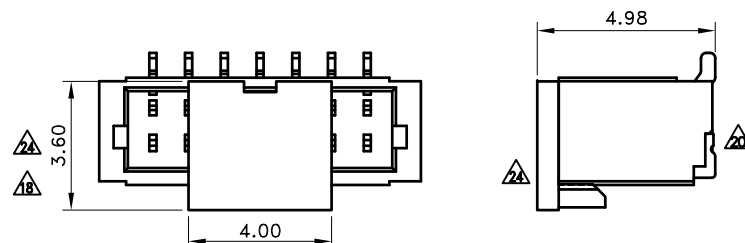
RECOMMEND PCB LAYOUT
General tolerance±0.05



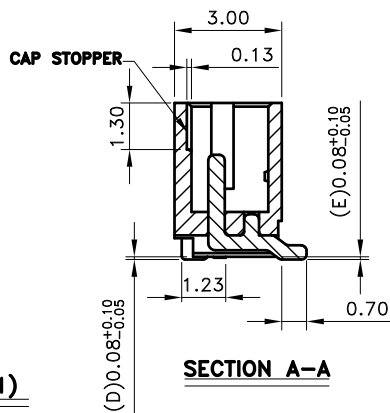
DETAIL F (SCALE 2:1)



ASSEMBLED ALL PART VIEW



ASSEMBLED CAP VIEW



SECTION A-A

SPECIFICATIONS

- Current Voltage : 50V AC/DC Δ
- Current Rating : 1 A AC/DC
- Withstanding Voltage : 500V AC/minute
- Insulation Resistance : 100M Ω min
- Temperature Range : - 25°C to + 85°C
- Contact Resistance : 20m Ω max

WAFER (SMT Type)

- Part No. : GJS-1254-XX XX(XX)-XX-XX

- Code No : ① ② ③ ④ ⑤
- ① Poles : 02~22
 - ② CAP : Blank : With CAP
NC : Non CAP Δ
 - ③ Plated :
Blank : Tin Plated
G&G0 : Gold Plated Δ
NM : Matte-Tin Plated
 - ④ Base Color :
Blank : Nature
BK : Black
 - ⑤ Base Material : Δ
Blank : Nylon 9T UL94V-0
L5 : LCP UL94V-0(Halogen Free)
NH : Nylon 6T/66 UL94V-0, Color : Black (Halogen Free) Δ
NH1: Nylon 6T UL94V-0, Color : Nature (Halogen Free) Δ

- Material :
1. Contact : Phos. Bronze
2. Solder Tab : Brass
3. Base : Refer the above options
- Q' ty : 1000 Pcs/Reel(With CAP) & 1100 Pcs/Reel(Non CAP) Δ

Poles	Dimensions (mm)			Poles	Dimensions (mm)		
	A	B	C		A	B	C
02	1.00	4.00	2.45	13	12.00	15.00	13.45
03	2.00	5.00	3.45	14	13.00	16.00	14.45
04	3.00	6.00	4.45	15	14.00	17.00	15.45
05	4.00	7.00	5.45	16	15.00	18.00	16.45
06	5.00	8.00	6.45	17	16.00	19.00	17.45
07	6.00	9.00	7.45	18	17.00	20.00	18.45
08	7.00	10.00	8.45	19	18.00	21.00	19.45
09	8.00	11.00	9.45	20	19.00	22.00	20.45
10	9.00	12.00	10.45	21	20.00	23.00	21.45
11	10.00	13.00	11.45	22	21.00	24.00	22.45
12	11.00	14.00	12.45				



东莞乔唯电子有限公司
DONGGUAN CHYAO WEI
ELECTRONIC CO., LTD

APPROVED BY	SCALE	UNIT	TOLERANCE	LTR	REVISION RECORD	NAME	DATE	LTR	REVISION RECORD	NAME	DATE
張育瑞		mm	.0 ±0.30	Δ	新增CAP尺寸標示	吳弘文	2013/12/06	Δ	新增無蓋產品包裝數量	曾慶根	2020/03/03
CHECKED BY	PROJ	VER NO.	.00 ±0.20	Δ	增加電鍍規格G0及修改NH用料	黃廣珍	2014/03/04	Δ	Add CS Logo on 3D View	Erin	2022/09/21
曾慶根	\oplus	a24	.000 ±0.10	Δ	無齒代碼"HP"刪除,與NH重複	鄭小嬌	2015/10/26	Δ	修改蓋子形狀裝配位置及尺寸	曾慶根	2023/08/29
DRAWN BY	DATE	SIZE	ANGLE	Δ	依實物蓋子修正圖面	曾慶根	2015/12/10		CUSTOMER		
曾慶根	2023/08/29	A4	0° ±1°	Δ	增加NH1選項內容說明	曾慶根	2017/11/30				
			0° ±	Δ	修改圖面部分外型	Eddie	2018/11/07		Conforms to The RoHS Instruction		
			SHEET 1/1	Δ	新增NC: Non Cap料號	Eddie	2020/01/08				

PART NO GJS-1254-XXXX(XX)-XX-XX

1.00mm WIRE TO BOARD CONNECTOR, SMT & STRAIGHT