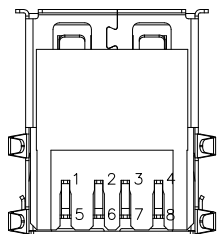
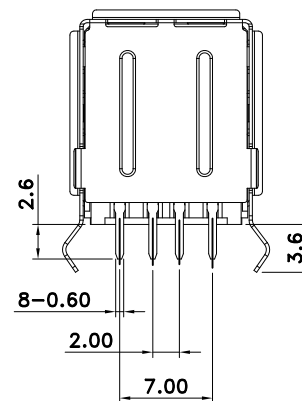
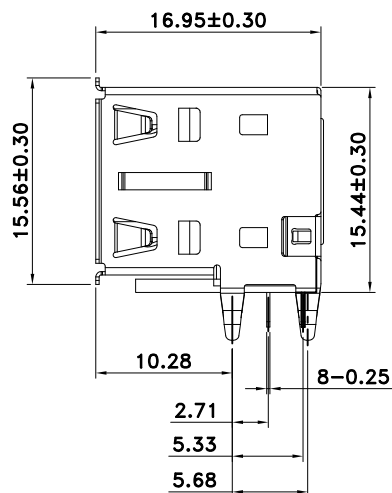
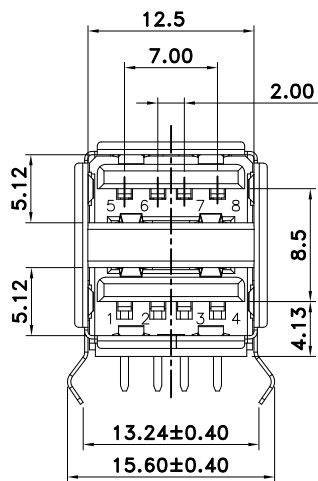


Recommended PCB Layout(T=1.60±0.05)
General Tolerance ±0.05



■ SPECIFICATIONS

- Current: 3.1A
- Voltage: 30V RMS
- Withstanding Voltage: 500V AC
- Contact Resistance: 30 mΩ max.
- Insulation Resistance: 1000 MΩ min.
- Temperature Range: -25°C to +85°C
- Mating And unmating Force:
 - Mating Force: 35N Max.
 - Unmating Force: 10N Min.
- Durability: 1500 Cycles

■ USB CONNECTOR

- Part No. : GJS-UB31CF SR02-08 (X) XX
① ②

- ① Contact Plated :
- Blank : Contact Area G/F Plated
 - Solder Area Tin Plated
 - Under Plated Ni (MOQ:10K)
 - (G) : Contact Area 30" Au Plated
 - Solder Area Tin Plated
 - Under Plated Ni (MOQ:20K)

- ② Base colour :
- BK : Black
 - W : White

- Material :
 - Housing: PBT UL94V-0
 - Contact: C2680
 - Shell: SUS304
 - Middle Spring: SUS201
- Plated :
 - Shell: Nickel Plated
 - Contact: 如上选项
- Q'ty : 100 pcs/盒(吸塑盒);



东莞乔唯电子有限公司
DONGGUAN CHYAO WEI
ELECTRONIC CO., LTD

APPROVED BY	SCALE	UNIT	TOLERANCE		LTR	REVISION RECORD	NAME	DATE	LTR	REVISION RECORD	NAME	DATE
张育瑞		mm	.0	±0.35	△				△			
CHECKED BY	PROJ	VER NO.	.00	±0.25	△				△			
曾庆根		a0	.000	±0.15	△				△			
DRAWN BY	DATE	SIZE	ANGLE		△							
曾庆根	2021/05/04	A4	0°	±2°	△							
			.0°	±	△							
			SHEET	1/1	△							

PART NO GJS-UB31CF SR02-08(X)XX

双层USB 2.0 一体式(无弹)-不锈钢外壳

CUSTOMER

Conforms to The RoHS Instruction