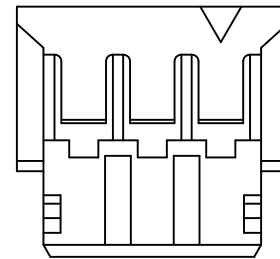
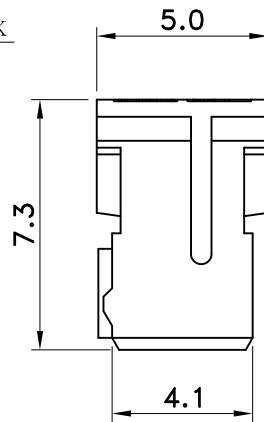
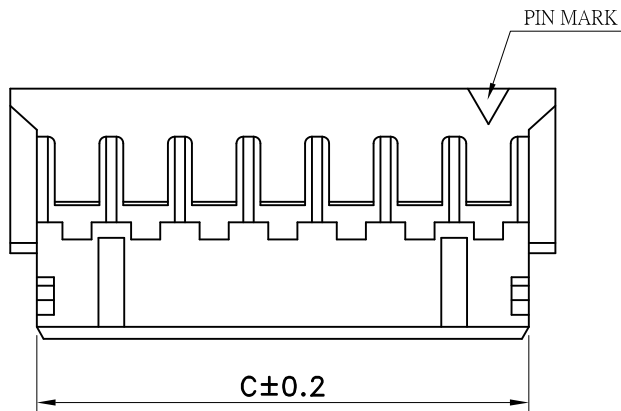
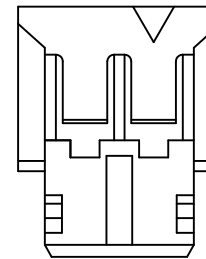


2*7PIN 3D VIEW



2*3PIN VIEW



2*2PIN VIEW

■ SPECIFICATIONS

- Current Rating : 3A AC/DC
- Withstanding Voltage : 800V AC/minute
- Insulation Resistance : 1,000MΩ min
- Temperature Range : - 25°C to + 85°C
- Contact Resistance : 20mΩ max

■ HOUSING

- Part No. : GJS-2007-XXx2 ^① ^② ^③

- ① Poles : 2x2 - 20x2
- ② Material : Blank: Nylon 66 UL94V-0
GW: Nylon 66 UL94V-0(Glow Wire) [△]
- ③ Color: Blank: Nature
BK : Black [△]
- Q' ty: 1,000 pcs./Bag



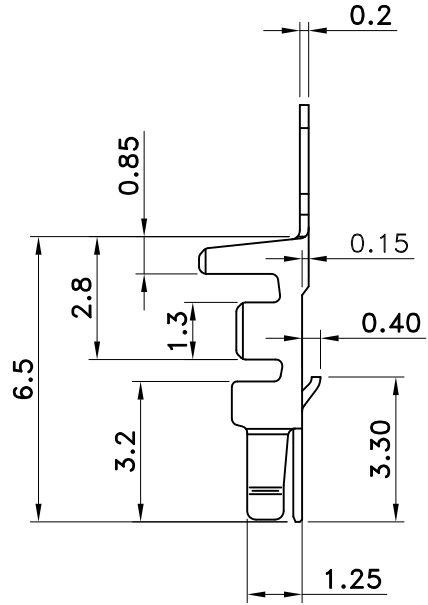
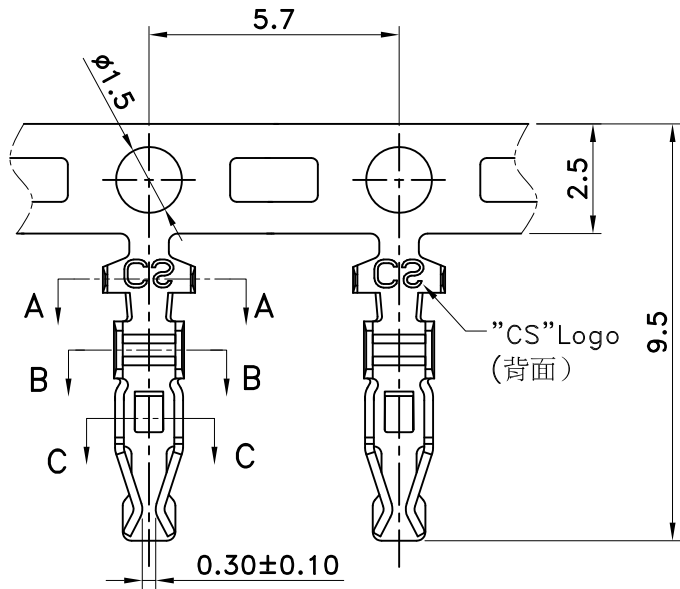
Poles	Dimensions(mm)		
	A	B	C
2x2	2.0	5.9	4.35
3x2	4.0	7.9	6.35
4x2	6.0	9.9	8.35
5x2	8.0	11.9	10.35
6x2	10.0	13.9	12.35
7x2	12.0	15.9	14.35
8x2	14.0	17.9	16.35
9x2	16.0	19.9	18.35
10x2	18.0	21.9	20.35
11x2	20.0	23.9	22.35
12x2	22.0	25.9	24.35
13x2	24.0	27.9	26.35
14x2	26.0	29.9	28.35
15x2	28.0	31.9	30.35
16x2	30.0	33.9	32.35
17x2	32.0	35.9	34.35
18x2	34.0	37.9	36.35
19x2	36.0	39.9	38.35
20x2	38.0	41.9	40.35



东莞乔唯电子有限公司
DONGGUAN CHYAO WEI
ELECTRONIC CO., LTD

APPROVED BY	SCALE	UNIT	TOLERANCE	LTR	REVISION RECORD	NAME	DATE	LTR	REVISION RECORD	NAME	DATE
張育瑞		mm	.0 ±0.30	△	200808-019	黃科源	08/08/29	△			
CHECKED BY	PROJ	VER NO.	.00 ±0.20	△	200811-001	黃科源	08/11/03	△			
劉娜	⊕	a6	.000 ±0.10	△	外觀修正	林豐盛	11/01/27	△			
DRAWN BY	DATE	SIZE	ANGLE	△	新增17x2~20x2規格	劉國紅	14/10/08		CUSTOMER		
謝君	2022/03/11	A4	0° ±1°	△	新增Base顏色選項	劉娜	19/06/10				
			0° ±	△	新增GW規格選項	謝君	22/03/11		Conforms to The RoHS Instruction		
			SHEET 1/1	△							

PART NO/GJS-2007-XXx2
2.00mm Crimp Style Connectors



■ SPECIFICATIONS

- Voltage rating: 250V AC, DC
- Current rating: 3.0A, AC, DC
- Withstanding Voltage: 800V AC/minute
- Temperature range: -25°C~+105°C
- Contact resistance: 20mΩ max

■ TERMINAL

- Part No. : GJS-20071XX-TPXX

① ②

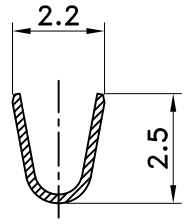
① Logo :

- Blank: 有“CS”Logo
- WL: 無“CS”Logo

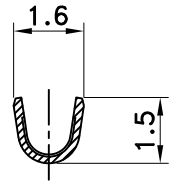
② Plated :

- Blank: Tin Plated (Standard Type)
- G : Gold Flash
- G4 : 15u"Au over 50u" NICKEL
(鍍全金15u", 鍍底50u")
- G5 : 30u"Au over 50u" NICKEL
(鍍全金30u", 鍍底50u")

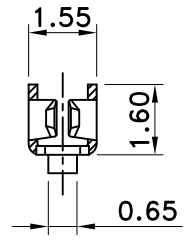
- Applicable Wires : AWG# 30 -24 OD 1.70 Max
- Material : Phosphor Bronze ,先沖后鍍
- Thickness : 0.20mm
- Q' ty : 15,000 pcs/Reel
- Mates With: JS-2007X-XXX Housing



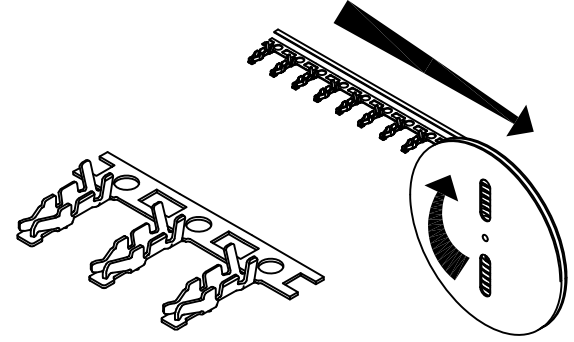
Section A-A



Section B-B



Section C-C

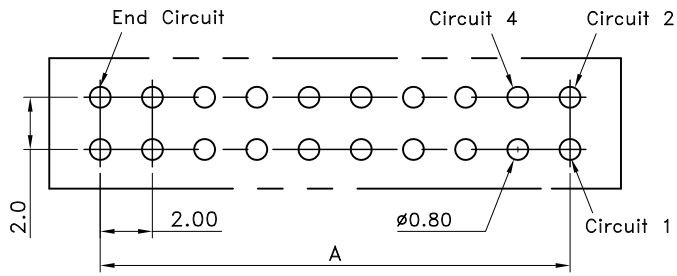


產品收料圖

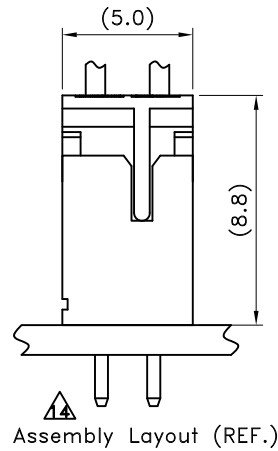
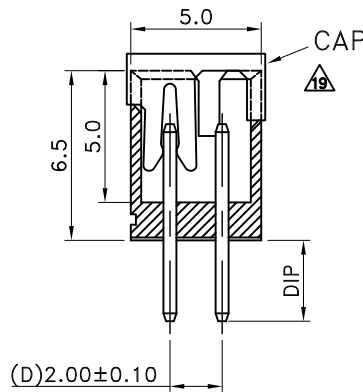
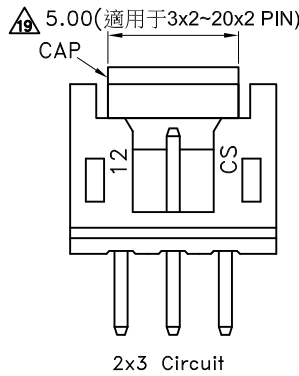
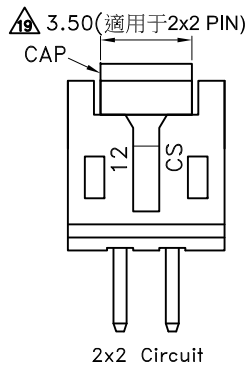
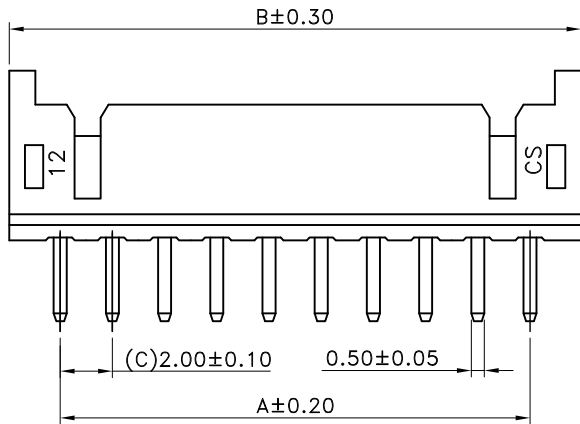
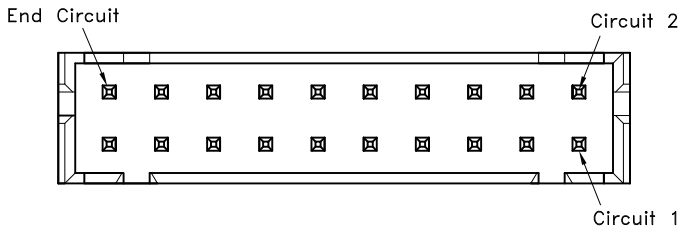
DGCW 东莞乔唯电子有限公司
DONGGUAN CHYAO WEI
ELECTRONIC CO., LTD

PART NO GJS-20071XX-TPXX
2.00mm Crimp Style Connectors Terminal

APPROVED BY	SCALE	UNIT	TOLERANCE	LTR	REVISION RECORD	NAME	DATE	LTR	REVISION RECORD	NAME	DATE
張育瑞		mm	.0 ±0.30	△				△			
CHECKED BY	PROJ	VER NO.	.00 ±0.20	△				△			
曾慶根		a	.000 ±0.10	△				△			
DRAWN BY	DATE	SIZE	ANGLE	△						CUSTOMER	
曾慶根	2022/08/11	A4	0° ±1°	△						Conforms to The RoHS Instruction	
			.0° ±	△							
			SHEET 1/1	△							



Recommended PCB Layout
General Tolerance ±0.05



■ SPECIFICATIONS

- Current Rating : 3A AC/DC
- Withstanding Voltage : 800V AC/minute
- Insulation Resistance : 1,000MΩ min
- Temperature Range : - 25℃ to + 85℃
- Contact Resistance : 20mΩ max

■ WAFER

- Part No. : GJS-2008-XXx2 XX (X) XX XX XX
① ② ③ ④ ⑤

- Poles : 2x2 -20x2(Straight)

- ① Plated : Blank : Bright-Tin Plated
G : Gold flash over NICKEL 12
G4 : 15u' 'min. Au over 50u" min.NICKEL 13

- ② Blank : Dip3,1mm

D : Dip 2.4mm

D1 : Dip 7.0mm 14

- ③ Base : Bank : PA 66+G.F. UL94 V-0

9T: PA 9T UL94 V-0 Color : Nature 15

(2X2-8X2 PIN) 20

GW : Nylon 66 UL94V-0(Glow Wire) 16

(Color : Natural)

6TNH1 : Nylon 6T UL94V-0 18

(Color : Natural,Halogen Free)

(2X2-8X2 PIN) 20

6TNH : Nylon 6T UL94V-0 19

(Color : Black,Halogen Free)

(2X2-8X2 PIN) 20

- ④ Color : Blank : Brown-red 434C(Standard)

BK : Black 11

W : White

- ⑤ Package : Blank : Bag 19

/R : Tape&Reel (With CAP)

- Material : Contact : Brass,

Base : Refer the above narrative

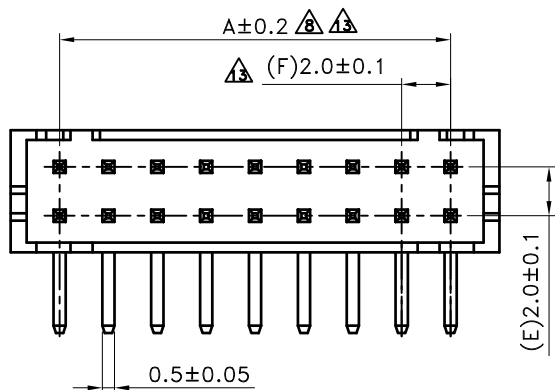
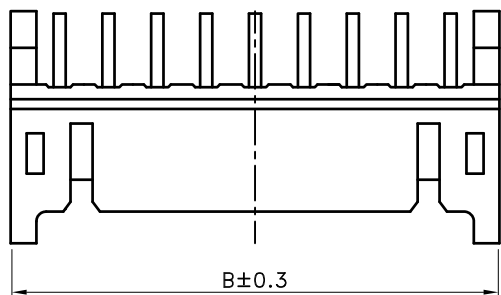
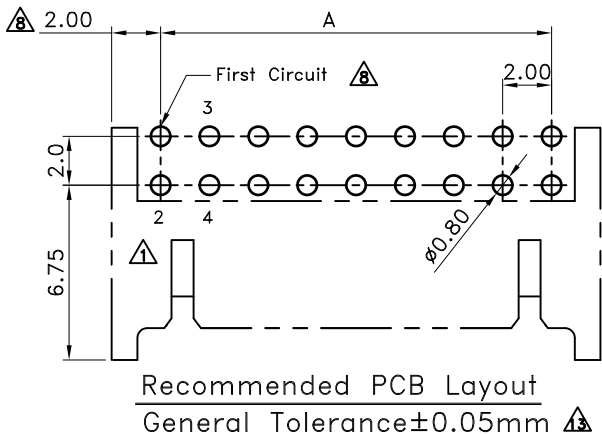
Poles	Dimensions(mm)		Poles	Dimensions(mm)	
	A	B		A	B
2x2	2.00	6.00	12x2	22.00	26.00
3x2	4.00	8.00	13x2	24.00	28.00
4x2	6.00	10.00	14x2	26.00	30.00
5x2	8.00	12.00	15x2	28.00	32.00
6x2	10.00	14.00	16x2	30.00	34.00
7x2	12.00	16.00	17x2	32.00	36.00
8x2	14.00	18.00	18x2	34.00	38.00
9x2	16.00	20.00	19x2	36.00	40.00
10x2	18.00	22.00	20x2	38.00	42.00
11x2	20.00	24.00			



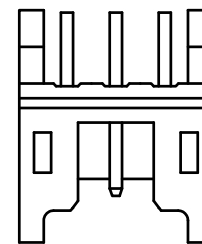
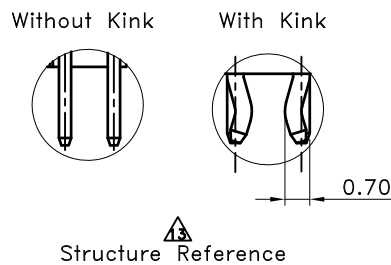
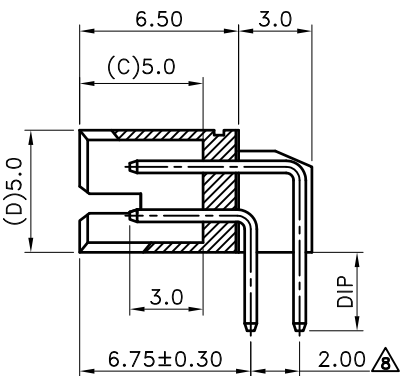
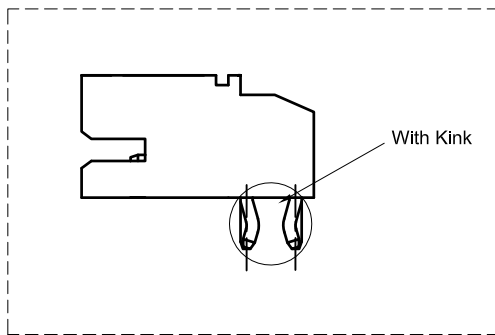
东莞乔唯电子有限公司
DONGGUAN CHYAO WEI
ELECTRONIC CO., LTD

APPROVED BY	SCALE	UNIT	TOLERANCE	LTR	REVISION RECORD	NAME	DATE	LTR	REVISION RECORD	NAME	DATE
張育瑞		mm	.0 ±0.30	12	增加顏色White選項	鄭小嬌	2014/12/04	16	增加6TNH1規格選項	Eddie	2023/02/01
CHECKED BY	PROJ	VER NO.	.00 ±0.20	13	依業務需求(聯絡單CT-003594)新增鍍金PIN	周家慶	2017/06/05	19	增加CAP示圖尺寸標示及規格選項	周自強	2023/10/12
曾慶根		a20	.000 ±0.10	13	新增鍍15u" Au, 50u" Ni規格選項	Eddie	2019/11/13	20	更改高溫料生產PIN位	曾慶根	2024/01/22
DRAWN BY	DATE	SIZE	ANGLE	14	Add Assembly Layout	Eddie	2021/03/30	CUSTOMER			
曾慶根	2024/01/22	A4	0° ±1°	15	增加9T規格選項	謝君	2021/06/30				
			.0° ±	16	增加GW規格選項	謝君	2022/03/11	Conforms to The RoHS Instruction			
			SHEET 1/1	17	新增DIP腳 7.0規格選項	謝君	2022/10/31				

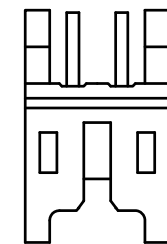
PART NO/GJS-2008-XXx2(X)
2.00mm Crimp Style Connectors Wafer



Poles	Dimensions(mm)		Poles	Dimensions(mm)	
	A	B		A	B
02x2	2.00	6.00	12x2	22.00	26.00
03x2	4.00	8.00	13x2	24.00	28.00
04x2	6.00	10.00	14x2	26.00	30.00
05x2	8.00	12.00	15x2	28.00	32.00
06x2	10.00	14.00	16x2	30.00	34.00
07x2	12.00	16.00	17x2	32.00	36.00
08x2	14.00	18.00	18x2	34.00	38.00
09x2	16.00	20.00	19x2	36.00	40.00
10x2	18.00	22.00	20x2	38.00	42.00
11x2	20.00	24.00			



2x3 Circuit



2x2 Circuit

■ SPECIFICATIONS

- Current Rating : 3A AC/DC
- Withstanding Voltage : 800V AC/minute
- Insulation Resistance : 1,000M Ω min
- Temperature Range : - 25 $^{\circ}$ C to + 85 $^{\circ}$ C
- Contact Resistance : 20m Ω max

■ WAFER

- Part No. : GJS-2008R-XXx2 (XX XX) XX XX X

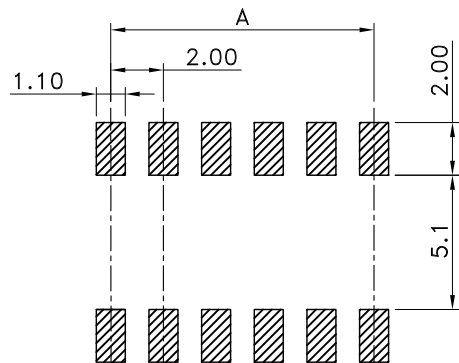
- ① Poles : 02x2 - 20x2(Right Angle)
 - ② Kink Type: Blank: Without Kink
K: With Kink
 - ③ DIP Length: Blank: 3.1mm
D1: 2.1mm
D2: 2.4mm
 - ④ Material(BASE) : Blank: Nylon 66+G.F. UL94V-0
V0: Nylon 66 UL94V-0
PA: Nylon 46 UL94V-0 (Poles: 2X2~6X2)
 - ⑤ Color: Blank: Brown-red 434C (Standard: Nylon 66+G.F.)
White (Standard: Nylon 66)
Nature: Beige (Standard: Nylon 46)
BK: Black
 - ⑥ Package : Blank: PVC Tray
/D: Bag
- Material : Contact : Brass, Tin Plated



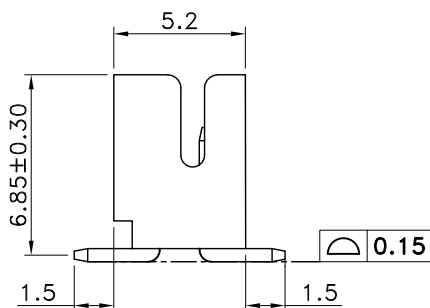
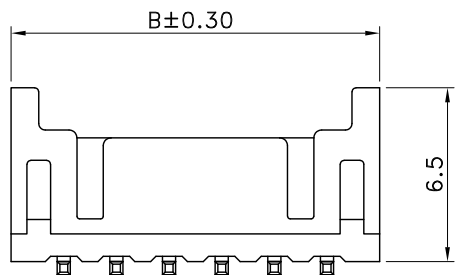
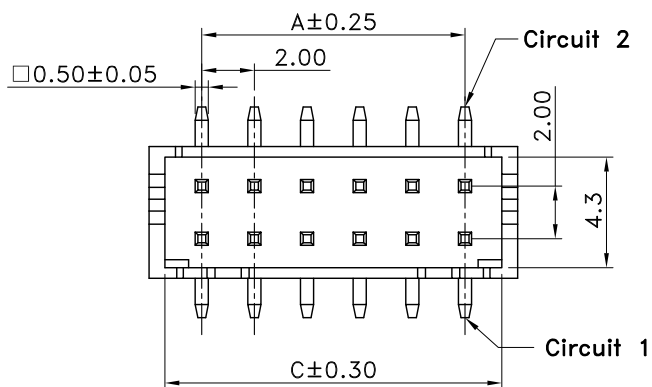
东莞乔唯电子有限公司
DONGGUAN CHYAO WEI
ELECTRONIC CO., LTD

APPROVED BY	SCALE	UNIT	TOLERANCE	LTR	REVISION RECORD	NAME	DATE	LTR	REVISION RECORD	NAME	DATE
張育瑞		mm	.0 ±0.30	△	變更原因遺失	簡海平	07/06/30	△	增加顏色BK, White選項	鄭小嬌	14/12/04
CHECKED BY	PROJ	VER NO.	.00 ±0.20	△	塑膠材料及包裝方式變更	黃科源	07/11/08	△	增加包裝方式料號	鄭小嬌	15/09/25
曾慶根		a13	.000 ±0.10	△	訂正B尺寸對照表及LAYOUT孔徑	黃科源	08/08/29	△	增加高溫料PA46新規格	曾慶根	16/12/21
DRAWN BY	DATE	SIZE	ANGLE	△	增加2P&3P的示意圖	黃科源	08/11/03	CUSTOMER			
曾慶根	2016/12/21	A4	0° ±1°	△	ECR 增加2x2pin在表列中	林豐盛	11/05/26				
			0° ±	△	修整塑膠材質敘述&包裝方式	王誠賢	11/10/17	Conforms to The RoHS Instruction			
			SHEET 1/1	△	增加17x2-20x2 pin	吳弘文	13/01/18				

PART NO: GJS-2008R-XXx2(XX XX)XX XX X
2.00mm Crimp Style Connectors Wafer(Right Angle)



Recommended PCB Layout
General Tolerance ± 0.05



SPECIFICATIONS

- Voltage Rating : 250V AC/DC
- Current Rating : 3A AC/DC
- Withstanding Voltage : 800V AC/minute
- Insulation Resistance : $\geq 1,000M\Omega$ min
- Temperature Range : $-25^{\circ}C$ to $+85^{\circ}C$
- Contact Resistance : $\leq 20m\Omega$ max

WAFER

- Part No : GJS-2008V1-XXx2 ^①
- Product Code : ^① 02x2 -20x2
- Material :
1.Wafer : PA6T UL94V-0
2.Contacts : Brass , Tin Plated

Q'ty : 500Pcs/Reel

Poles	Dimensions(mm)			Poles	Dimensions(mm)		
	A	B	C		A	B	C
02x2	2.00	6.00	4.80	12x2	22.00	26.00	24.80
03x2	4.00	8.00	6.80	13x2	24.00	28.00	26.80
04x2	6.00	10.00	8.80	14x2	26.00	30.00	28.80
05x2	8.00	12.00	10.80	15x2	28.00	32.00	30.80
06x2	10.00	14.00	12.80	16x2	30.00	34.00	32.80
07x2	12.00	16.00	14.80	17x2	32.00	36.00	34.80
08x2	14.00	18.00	16.80	18x2	34.00	38.00	36.80
09x2	16.00	20.00	18.80	19x2	36.00	40.00	38.80
10x2	18.00	22.00	20.80	20x2	38.00	42.00	40.80
11x2	20.00	24.00	22.80				



东莞乔唯电子有限公司
DONGGUAN CHYAO WEI
ELECTRONIC CO., LTD

APPROVED BY	SCALE	UNIT	TOLERANCE	LTR	REVISION RECORD	NAME	DATE	LTR	REVISION RECORD	NAME	DATE
張育瑞		mm	.0 ±0.30	△				△			
CHECKED BY	PROJ	VER NO.	.00 ±0.20	△				△			
曾慶根		a0	.000 ±0.10	△				△			
DRAWN BY	DATE	SIZE	ANGLE	△				△			
江華	2022/07/20	A4	0° ±1°	△				△			
			.0° ±	△				△			
			SHEET 1/1	△				△			

PART NO GJS-2008V1-XXx2

PHD立贴 Wafer Smt Type

CUSTOMER
Conforms to The RoHS Instruction