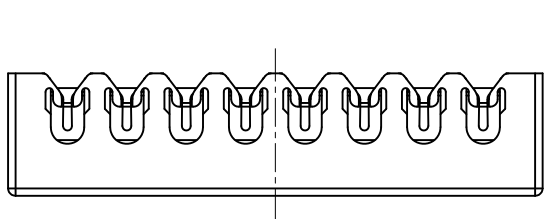
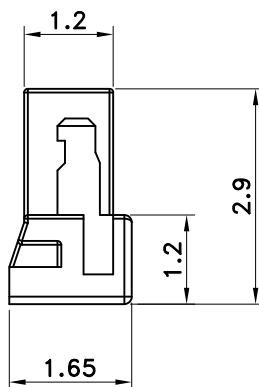
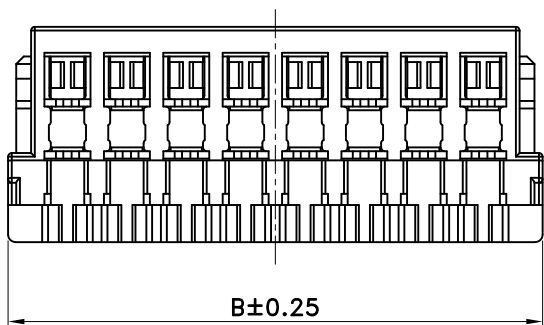
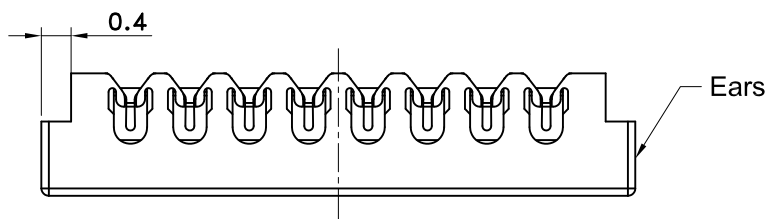


GJS-ID08005-XX

GJS-ID08005-XX(E)



GJS-ID08005-XX



GJS-ID08005-XX(E)

**■ SPECIFICATIONS**

- Current Rating : 0.5A AC/DC(AWG#32)
- Voltage Rating : 30V DC
- Withstanding Voltage : 200V AC/minute
- Insulation Resistance : 100MΩ min. initial
- Temperature Range : - 25°C to + 85°C
- Contact Resistance : 20mΩ max.

**■ IDC HOUSING**

- Part Code : GJS-ID08005-XX XX (XX) XX  
① ② ③ ④

- ① Poles : 02~28
- ② Plating : Blank : Gold Flash(常規品)  
 TP : Tin Plated
- ③ Structure : Blank : Without Ears  
 E : With Ears(MOQ:50K起訂)
- ④ Colour : Blank : Natural Color  
 BK:Black

- Material :
  1. Contact : Phosphorous Bronze
  2. Base : Nylon 66 UL 94V-0,
- Applicable Wire: AWG 32
- Insulation O.D. : φ0.39mm
- Packaging: Bag

Poles	Dimensions(mm)		Poles	Dimensions(mm)	
	A	B		A	B
02	0.80	2.40	13	9.60	11.20
03	1.60	3.20	14	10.40	12.00
04	2.40	4.00	15	11.20	12.80
05	3.20	4.80	16	12.00	13.60
06	4.00	5.60	17	12.80	14.40
07	4.80	6.40	18	13.60	15.20
08	5.60	7.20	19	14.40	16.00
09	6.40	8.00	20	15.20	16.80
10	7.20	8.80	22	16.80	18.40
11	8.00	9.60	24	18.40	20.00
12	8.80	10.40	28	21.60	23.20

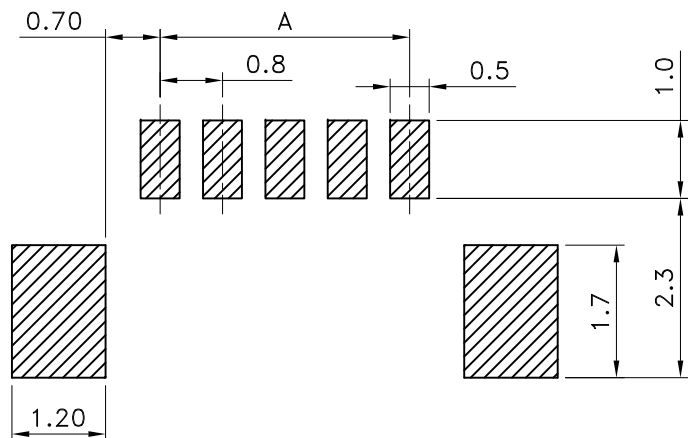


东莞乔唯电子有限公司  
 DONGGUAN CHYAO WEI  
 ELECTRONIC CO., LTD

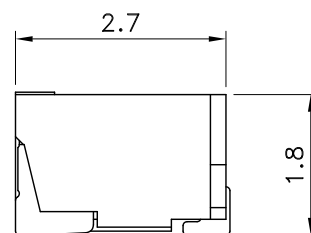
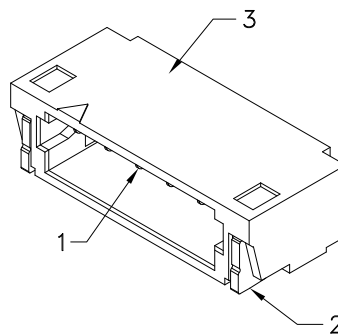
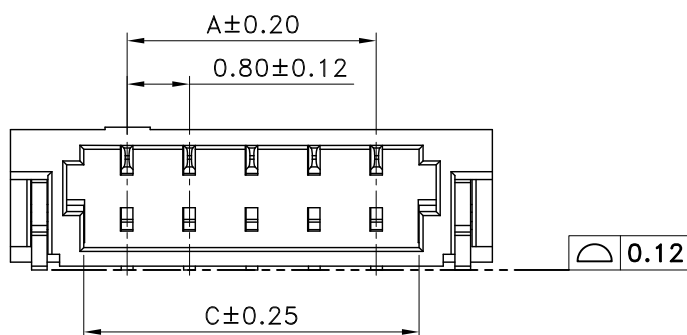
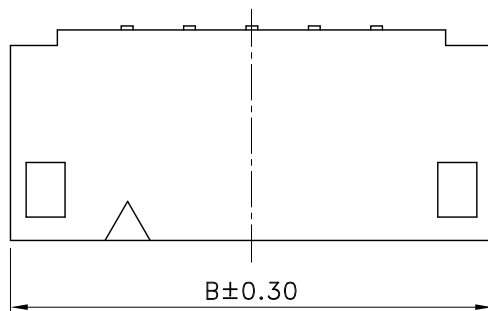
APPROVED BY	SCALE	UNIT	TOLERANCE	LTR	REVISION RECORD	NAME	DATE	LTR	REVISION RECORD	NAME	DATE
張育瑞		mm	.0 ±0.30	△				△			
CHECKED BY	PROJ	VER NO.	.00 ±0.20	△				△			
劉娜	⊕	a0	.000 ±0.10	△				△			
DRAWN BY	DATE	SIZE	ANGLE	△					CUSTOMER		
曾慶根	2016/12/07	A4	0° ±1°	△							
			.0° ±	△				Conforms to The RoHS Instruction			
			SHEET 1/1	△							

PART NO GJS-ID08005-XX(X)XX

0.80mm WIRE TO BOARD INSULATION DISPLACEMENT CONNECTOR, IDC HOUSING



**Recommended PCB Layout**  
General Tolerance  $\pm 0.05$



**SPECIFICATIONS**

- Voltage rating: 30V AC / DC
- Current rating: 0.50A AC / DC
- Withstanding voltage: 200V AC/minute
- Temperature range : - 25°C to + 85°C
- Insulation resistance:  $\geq 100M\Omega$
- Contact resistance : 20m $\Omega$  max.

**HOUSING**

- Part Code : GJS-ID0801H5-XX XX XX
- Product Code: ① ② ③

- ① Poles : 02~20
- ② Plating : Blank : Tin Plated  
G : Glod Plated(常規品)
- ③ Color : Blank : Nature(常規品)  
BK : Black

- Material : 1.Contact : Phosphor Bronze  
2.Solder Nail : Phosphor Bronze  
3.Base : LCP UL94V-0
- Q' ty : 3,500 pcs./Reel
- Mates With: GJS-ID0800X-XX(X)XX Housing

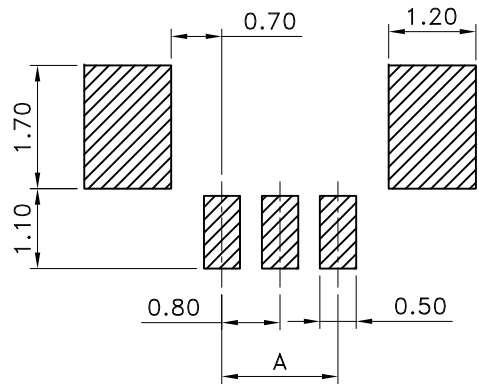
Poles	Dimensions(mm)			Poles	Dimensions(mm)		
	A	B	C		A	B	C
02	0.80	3.80	1.90	12	8.80	11.80	9.90
03	1.60	4.60	2.70	13	9.60	12.60	10.70
04	2.40	5.40	3.50	14	10.40	13.40	11.50
05	3.20	6.20	4.30	15	11.20	14.20	12.30
06	4.00	7.00	5.10	16	12.00	15.00	13.10
07	4.80	7.80	5.90	17	12.80	15.80	13.90
08	5.60	8.60	6.70	18	13.60	16.60	14.70
09	6.40	9.40	7.50	19	14.40	17.40	15.50
10	7.20	10.20	8.30	20	15.20	18.20	16.30
11	8.00	11.00	9.10				



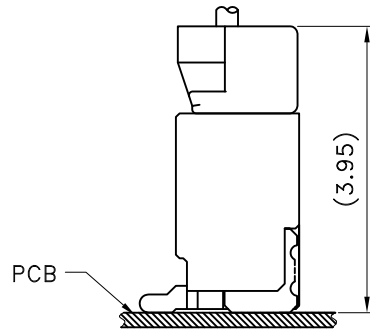
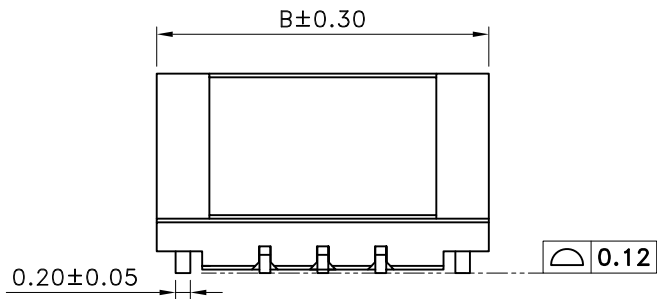
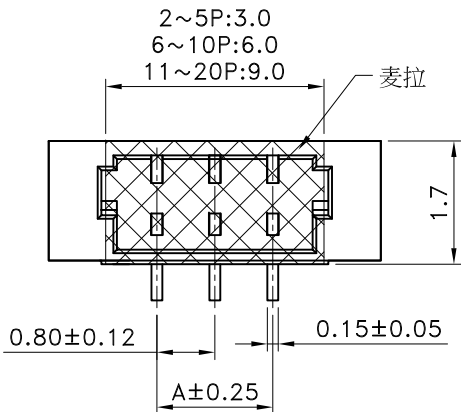
东莞乔唯电子有限公司  
DONGGUAN CHYAO WEI  
ELECTRONIC CO., LTD

APPROVED BY	SCALE	UNIT	TOLERANCE	LTR	REVISION RECORD	NAME	DATE	LTR	REVISION RECORD	NAME	DATE
張育瑞		mm	.0 ±0.30					△			
CHECKED BY	PROJ	VER NO.	.00 ±0.20					△			
劉娜		a	.000 ±0.10					△			
DRAWN BY	DATE	SIZE	ANGLE						CUSTOMER		
曾慶根	2020/11/13	A4	0° ±1°						Conforms to The RoHS Instruction		
			.0° ±								
			SHEET 1/1								

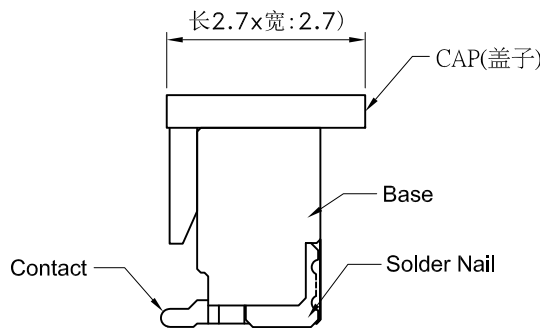
PART NO GJS-ID0801H5-XX  
0.80mm IDC Style Connectors



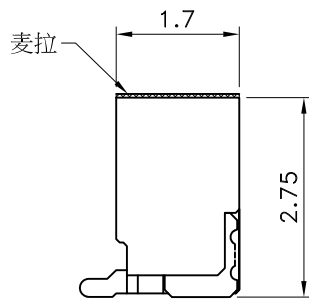
Recommended PCB Layout  
General Tolerance  $\pm 0.05$



组合图



5P~20P可装盖子



■ SPECIFICATIONS

- Voltage rating: 30V AC / DC
- Current rating: 0.50A AC / DC
- Withstanding voltage: 200V AC/minute
- Temperature range : - 25°C to + 85°C
- Insulation resistance:  $\geq 100M\Omega$
- Contact resistance : 20m $\Omega$  max.

■ HOUSING

- Part Code : GJS-ID0801V5-XX X (X) XX

Product Code: ①②③ ④

- ① Poles : 02~24
- ② Cover : Blank : 麦拉 (2P~20P可贴麦拉)  
C : 盖子 (5P~20P可装盖子)
- ③ Plating : Blank : Tin Plated  
(G) : Gold flash(常规品)
- ④ Color : Blank : Nature(常规品)  
BK : Black
- Material : 1.Contact : Phosphor Bronze  
2.Solder Nail : Brass, Gold flash  
3.Base : LCP UL94V-0  
4.CAP : LCP UL94V-0
- Packaging : 贴麦拉: 2000Pcs/Reel  
装盖子: 2000Pcs/Reel
- Mates With: GJS-ID0800X-XX(X)XX Housing

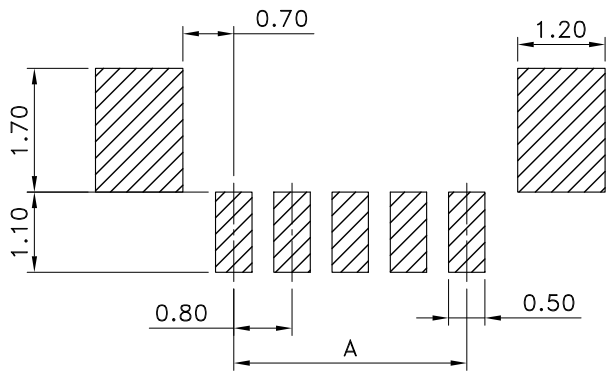
Poles	Dimensions(mm)		Poles	Dimensions(mm)	
	A	B		A	B
02	0.80	3.80	13	9.60	12.60
03	1.60	4.60	14	10.40	13.40
04	2.40	5.40	15	11.20	14.20
05	3.20	6.20	16	12.00	15.00
06	4.00	7.00	17	12.80	15.80
07	4.80	7.80	18	13.60	16.60
08	5.60	8.60	19	14.40	17.40
09	6.40	9.40	20	15.20	18.20
10	7.20	10.20	22	16.80	19.80
11	8.00	11.00	24	18.40	21.40
12	8.80	11.80			



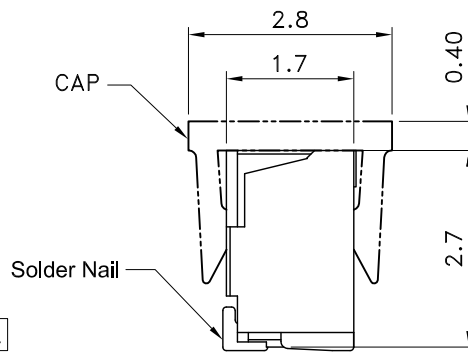
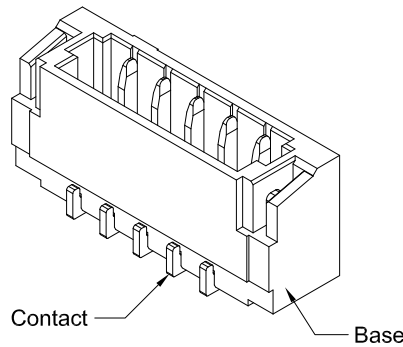
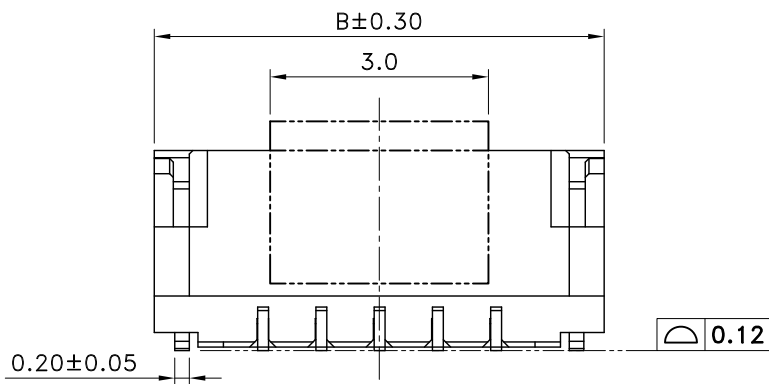
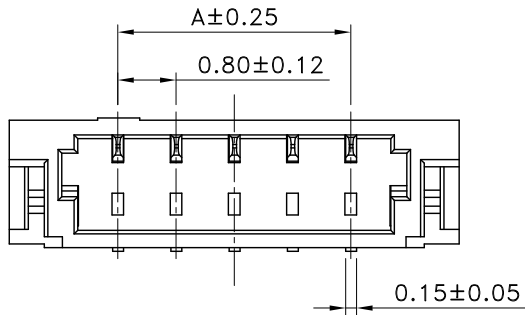
东莞乔唯电子有限公司  
DONGGUAN CHYAO WEI  
ELECTRONIC CO., LTD

APPROVED BY	SCALE	UNIT	TOLERANCE	LTR	REVISION RECORD	NAME	DATE	LTR	REVISION RECORD	NAME	DATE
张育瑞		mm	.0 ±0.30					△			
CHECKED BY	PROJ	VER NO.	.00 ±0.20					△			
曾庆根	☉	a	.000 ±0.10					△			
DRAWN BY	DATE	SIZE	ANGLE						CUSTOMER		
曾庆根	2020/11/13	A4	0° ±1°						Conforms to The RoHS Instruction		
			.0° ±								
			SHEET 1/1								

PART NO GJS-ID0801V5-XXXXX  
0.80mm IDC Style Connectors



**Recommended PCB Layout**  
General Tolerance  $\pm 0.05$



**■ SPECIFICATIONS**

- Voltage rating: 30V AC / DC
- Current rating: 0.50A AC / DC
- Withstanding voltage: 200V AC/minute
- Temperature range : - 25°C to + 85°C
- Insulation resistance:  $\geq 100M\Omega$
- Contact resistance :  $20m\Omega$  max.

**■ HOUSING**

- Part Code : GJS-ID0801V5-~~XX~~ X XX-B
- Product Code: ①②③

- ① Poles : 02~24
- ② Plating : Blank : Tin Plated  
G : Gold flash(常規品)
- ③ Color : Blank : Nature(常規品)  
BK : Black

- Material : 1.Contact : Phosphor Bronze  
2.Solder Nail : Phosphor Bronze  
3.Base : LCP UL94V-0  
4.CAP : LCP UL94V-0
- Packaging : 2000Pcs/Reel
- Mates With: GJS-ID0800X-XX(X)XX Housing

Poles	Dimensions(mm)		Poles	Dimensions(mm)	
	A	B		A	B
02	0.80	3.80	13	9.60	12.60
03	1.60	4.60	14	10.40	13.40
04	2.40	5.40	15	11.20	14.20
05	3.20	6.20	16	12.00	15.00
06	4.00	7.00	17	12.80	15.80
07	4.80	7.80	18	13.60	16.60
08	5.60	8.60	19	14.40	17.40
09	6.40	9.40	20	15.20	18.20
10	7.20	10.20	22	16.80	19.80
11	8.00	11.00	24	18.40	21.40
12	8.80	11.80			



东莞乔唯电子有限公司  
DONGGUAN CHYAO WEI  
ELECTRONIC CO., LTD

APPROVED BY	SCALE	UNIT	TOLERANCE	LTR	REVISION RECORD	NAME	DATE	LTR	REVISION RECORD	NAME	DATE
張育瑞		mm	.0 ±0.30					⚠			
CHECKED BY	PROJ	VER NO.	.00 ±0.20					⚠			
曾慶根	☉	a	.000 ±0.10					⚠			
DRAWN BY	DATE	SIZE	ANGLE						CUSTOMER		
曾慶根	2020/11/13	A4	0° ±1°						Conforms to The RoHS Instruction		
			.0° ±								
			SHEET 1/1								

PART NO GJS-ID0801V5-XXX-B  
0.80mm IDC Style Connectors