

■ SPECIFICATIONS

- Current Rating : 3A AC/DC
- Voltage Rating : 250V AC/DC
- Withstanding Voltage : 1,000V AC/minute
- Insulation Resistance : 1,000MΩ min.
- Temperature Range : - 25°C to + 85°C
- Contact Resistance : 20mΩ max.

■ HOUSING

- Part No. : GJS-11083-XX

①

①Poles : 01~40

- Material : PPO UL94V-0,Black
- Mating Wafer : GJS-1109X-XX & GJS-1110X-XX
- Mating Terminal : GJS-1105X-XXTPXX

Poles	Dimensions(mm)		Poles	Dimensions(mm)	
	A	B		A	B
01	—	2.54	21	50.80	53.34
02	2.54	5.08	22	53.34	55.88
03	5.08	7.62	23	55.88	58.42
04	7.62	10.16	24	58.42	60.96
05	10.16	12.70	25	60.96	63.50
06	12.70	15.24	26	63.50	66.04
07	15.24	17.98	27	66.04	68.58
08	17.78	20.32	28	68.58	71.12
09	20.32	22.86	29	71.12	73.66
10	22.86	25.40	30	73.66	76.20
11	25.40	27.94	31	76.20	78.74
12	27.94	30.48	32	78.74	81.28
13	30.48	33.02	33	81.28	83.82
14	33.02	35.56	34	83.82	86.36
15	35.56	38.10	35	86.36	88.90
16	38.10	40.64	36	88.90	91.44
17	40.64	43.18	37	91.44	93.98
18	43.18	45.72	38	93.98	96.52
19	45.72	48.26	39	96.52	99.06
20	48.26	50.80	40	99.06	101.60

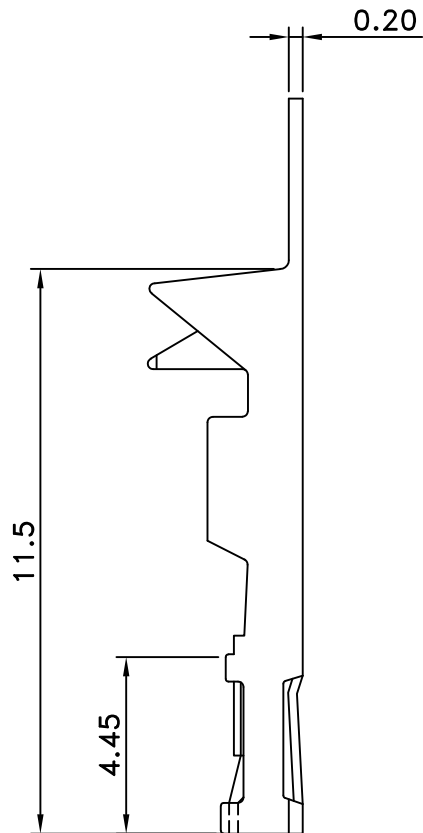
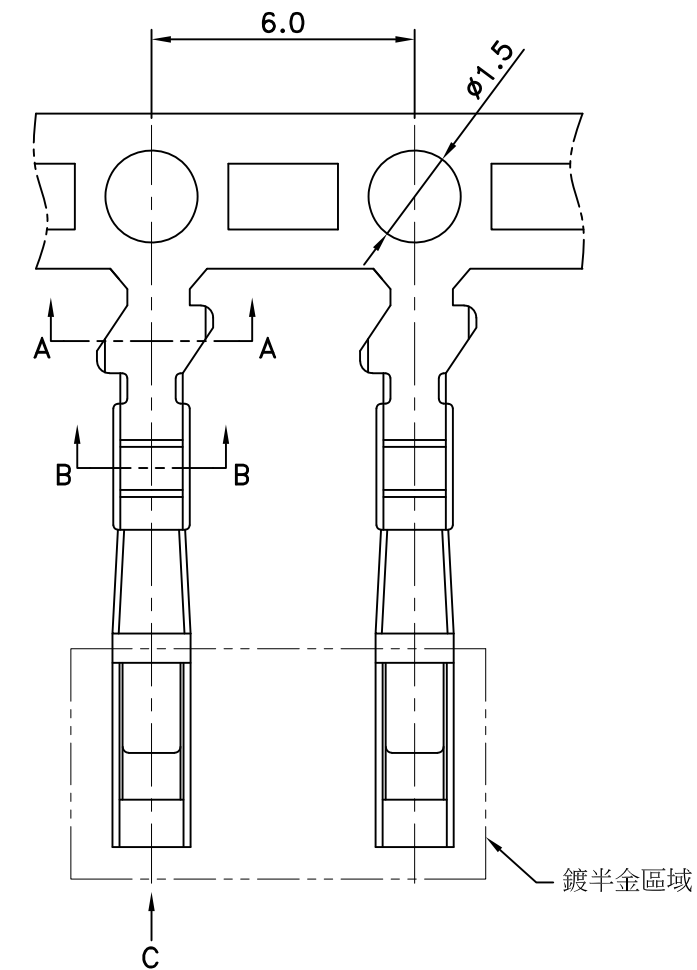


东莞乔唯电子有限公司
DONGGUAN CHYAO WEI
ELECTRONIC CO., LTD

APPROVED BY	SCALE	UNIT	TOLERANCE	LTR	REVISION RECORD	NAME	DATE	LTR	REVISION RECORD	NAME	DATE
張育瑞		mm	.0 ±0.30	△				△			
CHECKED BY	PROJ	VER NO.	.00 ±0.20	△				△			
劉娜	⊕ □	α0	.000 ±0.10	△				△			
DRAWN BY	DATE	SIZE	ANGLE	△							
曾慶根	2020/11/16	A4	0° ±1°	△							
			.0° ±	△							
			SHEET 1/1	△							

CUSTOMER
Conforms to The RoHS Instruction

PART NO GJS-11083-XX
2.54mm Center Mini Latch Housing



■ SPECIFICATIONS

- Voltage Rating :250 V AC/DC
- Current Rating : 3A AC/DC
- Withstanding Voltage : 1000V AC/minute
- Insulation Resistance : 1000MΩ min
- Temperature Range : - 25°C to + 85°C
- Contact Resistance : 20mΩ max

■ TERMINAL

- Part No. : GJS-11051-XXTP XX
① ②

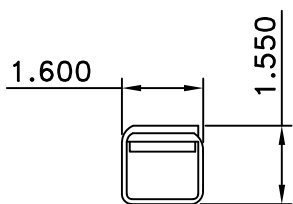
① Material :

- TP : Brass(常规品)
- PBTP : Phosphor Bronze

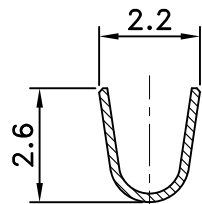
② Plated :

- Blank : Tin-Plated (先冲后鍍)
- SG : Gold Flash (鍍半金, 先冲后鍍)

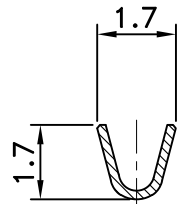
- Applicable Wires : AWG# 22-28
- Thickness : 0.2mm
- Q' ty : 10,000 pcs./Reel
- Mates With: GJS-11051-XX Housing



View C



SECTION A-A



SECTION B-B



东莞乔唯电子有限公司
DONGGUAN CHYAO WEI
ELECTRONIC CO., LTD

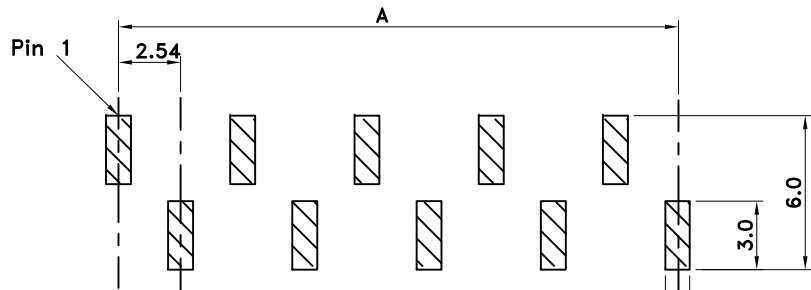
APPROVED BY	SCALE	UNIT	TOLERANCE	LTR	REVISION RECORD	NAME	DATE	LTR	REVISION RECORD	NAME	DATE
張育瑞	N/A	mm	.0 ±0.30	△				△			
CHECKED BY	PROJ	VER NO.	.00 ±0.20	△				△			
劉娜	⊕	α0	.000 ±0.10	△				△			
DRAWN BY	DATE	SIZE	ANGLE	△							
曾慶根	2022/02/17	A4	0° ±1°	△							
			.0° ±	△							
			SHEET 1/1	△							

PART NO GJS-11051-XXTPXX

CUSTOMER

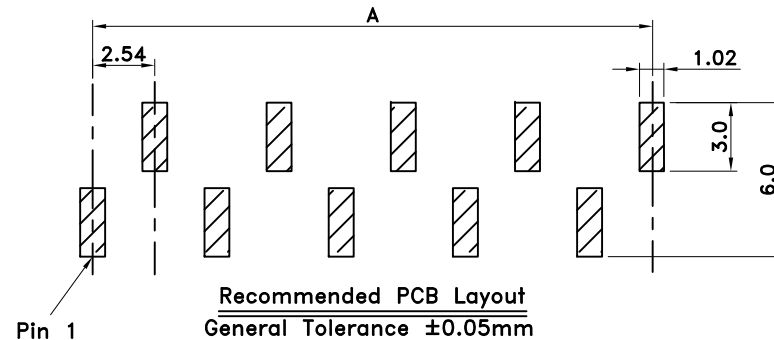
Conforms to The RoHS Instruction

2.54mm Center Mini Latch Terminal



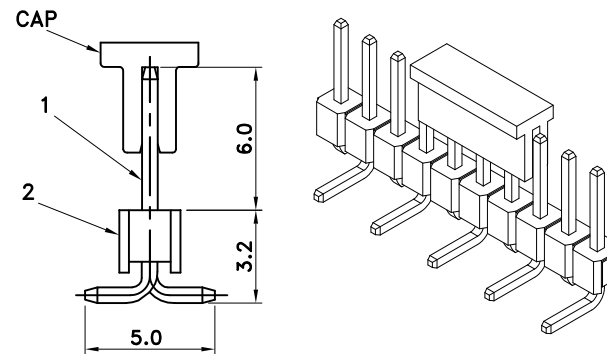
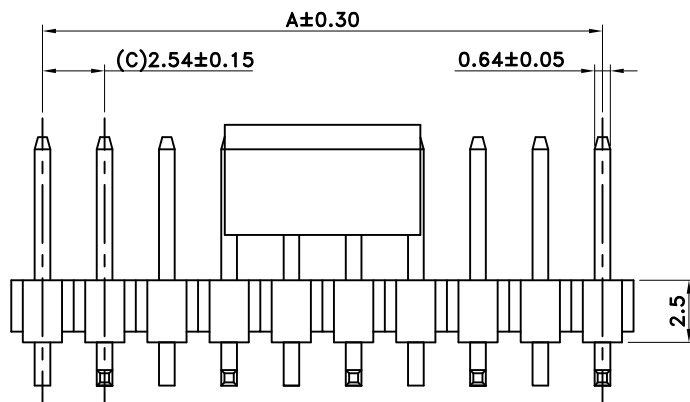
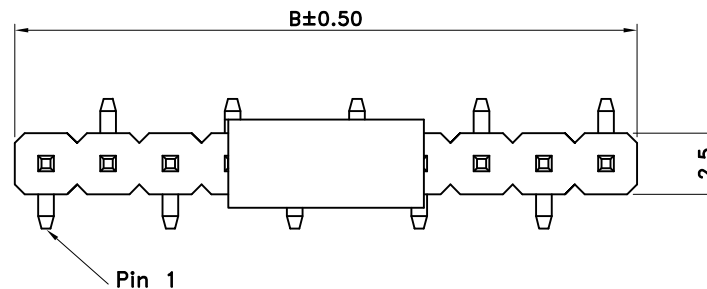
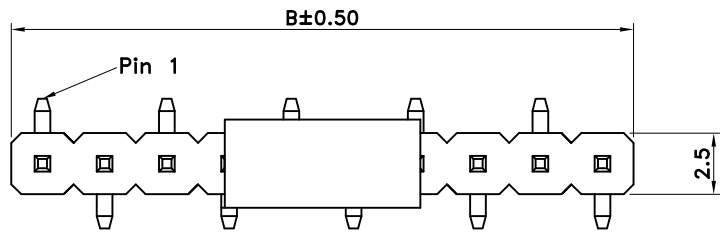
Recommended PCB Layout
General Tolerance $\pm 0.05\text{mm}$

GJS-1109SM1-XXX(D1)/X



Recommended PCB Layout
General Tolerance $\pm 0.05\text{mm}$

GJS-1109SMS1-XXX(D1)/X



■ SPECIFICATIONS

- Voltage Rating : 125V AC/DC
- Current Rating : 3A AC/DC
- Withstanding Voltage : 1000V AC/minute
- Insulation Resistance : 1000M Ω min.
- Temperature Range : -40 $^{\circ}\text{C}$ to +105 $^{\circ}\text{C}$
- Contact Resistance : 20m Ω max.

■ PIN HEADER

- Part No. : GJS-1109SMX1-XX X (D1) /X
Product Code ① ② ③ ④ ⑤
- ① Pin Type : Blank : Standard Type
S : Reverse Type
- ② Poles No: 03~40
- ③ Cap : Blank : Without Cap
C : With Cap
- ④ D1: SMT:5.0、LD:3.2、OD:6.0
- ⑤ Packing :
Blank : Bag(Standard)
/A : Tube
/R : Reel +CAP
- Material :
1. Contact : Brass, Gold Plated
2. Base :High temperature plastic ,
UL 94V-0; Color : Black

Poles	Dimension(mm)		Poles	Dimension(mm)	
	A	B		A	B
03	5.08	7.62	22	53.34	55.88
04	7.62	10.16	23	55.88	58.42
05	10.16	12.70	24	58.42	60.96
06	12.70	15.24	25	60.96	63.50
07	15.24	17.78	26	63.50	66.04
08	17.78	20.32	27	66.04	68.58
09	20.32	22.86	28	68.58	71.12
10	22.86	25.40	29	71.12	73.66
11	25.40	27.94	30	73.66	76.20
12	27.94	30.48	31	76.20	78.74
13	30.48	33.02	32	78.74	81.28
14	33.02	35.56	33	81.28	83.82
15	35.56	38.10	34	83.82	86.36
16	38.10	40.64	35	86.36	88.90
17	40.64	43.18	36	88.90	91.44
18	43.18	45.72	37	91.44	93.98
19	45.72	48.26	38	93.98	96.52
20	48.26	50.80	39	96.52	99.06
21	50.80	53.34	40	99.06	101.60



东莞乔唯电子有限公司
DONGGUAN CHYAO WEI
ELECTRONIC CO., LTD

APPROVED BY	SCALE	UNIT	TOLERANCE	LTR	REVISION RECORD	NAME	DATE	LTR	REVISION RECORD	NAME	DATE
張育瑞		mm	.0 ± 0.30	△				△			
CHECKED BY	PROJ	VER NO.	.00 ± 0.20	△				△			
曾慶根		a	.000 ± 0.10	△				△			
DRAWN BY	DATE	SIZE	ANGLE	△							
曾慶根	2021/11/02	A4	0 $^{\circ}$ $\pm 1^{\circ}$	△							
			.0 $^{\circ}$ \pm	△							
			SHEET 1/1	△							

PART NO/GJS-1109SMX1-XXX(D1)/X

2.54mm SMT Board to Board Connector Single Row Straight

CUSTOMER
Conforms to The RoHS Instruction