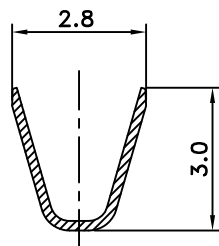
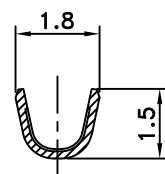


View C



SECTION A-A

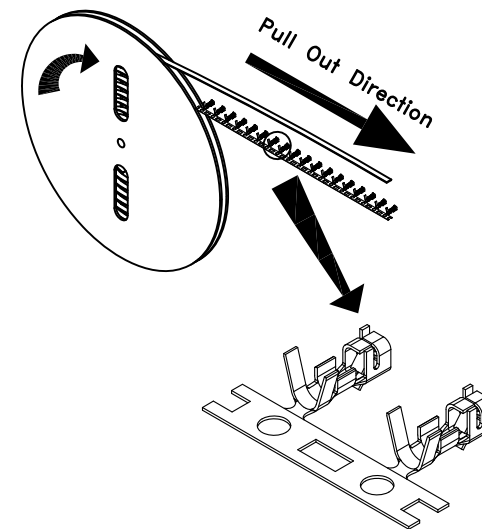


SECTION B-B

- **SPECIFICATIONS**
- Current Rating : 3A AC/DC
- Withstanding Voltage : 1,000V AC/minute
- Insulation Resistance : 1,000MΩ min
- Temperature Range : - 25°C to + 85°C
- Contact Resistance : 20mΩ max

- **TERMINAL:**
- Part No. : GJS-20011XX-TPXX
① ②

- ① Logo :
Blank : 有“CS”Logo
WL : 無“CS”Logo
- ② Plated :
TP: Phosphor Bronze, Tin-Plated (先沖后鍍)
TPSG: Phosphor Bronze, 鍍半金 (先沖后鍍)
<0.2~0.6u" Au over 30~80u" NICKEL>
TPSG1: Phosphor Bronze, 鍍半金 (先沖后鍍)
<0.8~1.0u" Au over 50~80u" NICKEL over
120~180u" Sn> 鹽霧72小時
TPG: Phosphor Bronze, 鍍全金 (先沖后鍍)
<0.2~0.6u" Au over 30~80u" NICKEL>
- Applicable Wires : AWG# 22 - 30
- Thickness : 0.20mm
- Q' ty : 10,000 pcs./Reel
- Mates With: GJS-20011-XX Housing



东莞乔唯电子有限公司
DONGGUAN CHYAO WEI
ELECTRONIC CO., LTD

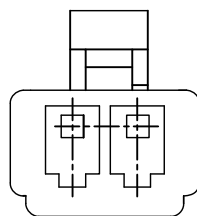
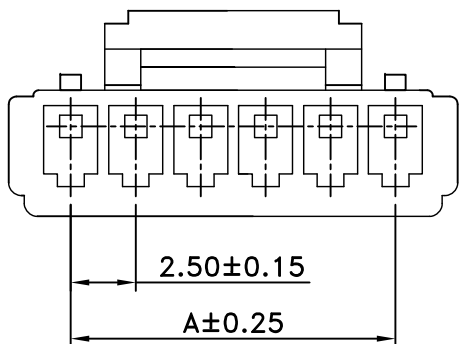
APPROVED BY	SCALE	UNIT	TOLERANCE	LTR	REVISION RECORD	NAME	DATE	LTR	REVISION RECORD	NAME	DATE
張育瑞	N/A	mm	.0 ±0.30	△	增加過鹽霧72小時	曾慶根	2023. 5. 17	△			
CHECKED BY	PROJ	VER NO.	.00 ±0.20	△				△			
曾慶根		a1	.000 ±0.10	△				△			
			ANGLE	△							
			0° ±1°	△							
			.0° ±	△							
			SHEET 1/1	△							

PART NO GJS-20011XX-TPXX

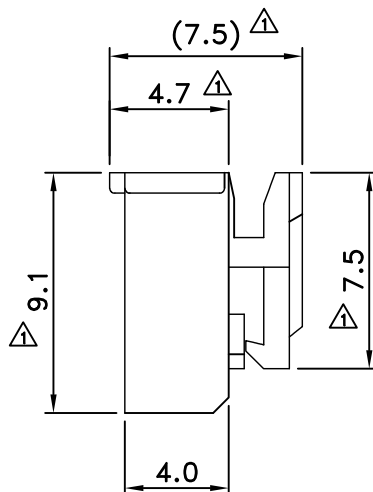
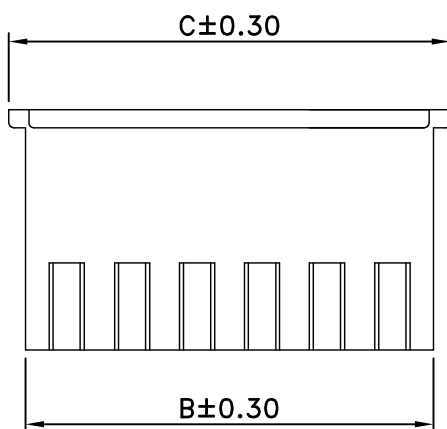
2.50mm Wire to Board Connector, Terminal

CUSTOMER

Conforms to The RoHS Instruction



2P



■ SPECIFICATIONS

- Voltage Rating : 250V AC/DC
- Current Rating : 3A AC/DC
- Withstanding Voltage : 1,000V AC/minute
- Insulation Resistance : 1,000MΩ min
- Temperature Range : - 25°C to + 85°C
- Contact Resistance : 20mΩ max.

■ HOUSING

- Part No. : GJS-20012-XX HK

① Poles : 02-20 ① ②

② HK : 產品有外卡勾

- Material : Nylon 66 UL94V-0, Natural color
- Use With: GJS-2001X-TXX Terminal
- Use With: GJS-1001X-XXHK&GJS-1001VX-XXHK Wafer Δ

Poles	Dimensions (mm)		
	A	B	C Δ
02	2.50	5.70	7.50
03	5.00	8.20	10.0
04	7.50	10.70	12.50
05	10.00	13.20	15.00
06	12.50	15.70	17.50
07	15.00	18.20	20.00
08	17.50	20.70	22.50
09	20.00	23.20	25.00
10	22.50	25.70	27.50
11	25.00	28.20	30.00
12	27.50	30.70	32.50
13	30.00	33.20	35.00
14	32.50	35.70	37.50
15	35.00	38.20	40.00
16	37.50	40.70	42.50
17	40.00	43.20	45.00
18	42.50	45.70	47.50
19	45.00	48.20	50.00
20	47.50	50.70	52.50

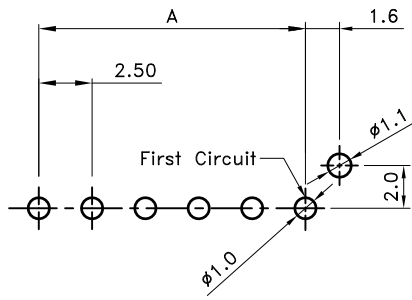


东莞乔唯电子有限公司
DONGGUAN CHYAO WEI
ELECTRONIC CO., LTD

APPROVED BY	SCALE	UNIT	TOLERANCE	LTR	REVISION RECORD	NAME	DATE	LTR	REVISION RECORD	NAME	DATE
張育瑞		mm	.0 ±0.30	Δ	增加及修改尺寸	曾慶根	2022. 6. 21	Δ			
CHECKED BY	PROJ	VER NO.	.00 ±0.20	Δ	備註欄新增匹配Wafer料號	劉 娜	2023. 2. 27	Δ			
劉 娜	\oplus \square	a2	.000 ±0.10	Δ				Δ			
DRAWN BY	DATE	SIZE	ANGLE						CUSTOMER		
曾慶根	2023/02/27	A4	0° ±1°	Δ					Conforms to The RoHS Instruction		
			.0° ±	Δ							
			SHEET	1/1	Δ						

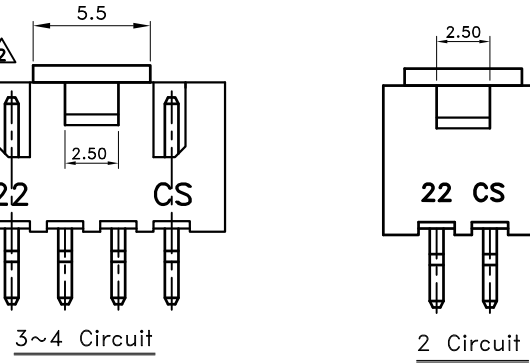
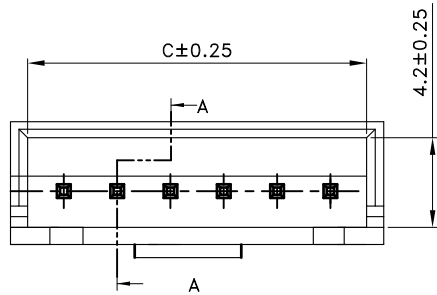
PART NO GJS-20012-XXHK

2.50mm Crimp Style Connectors Housing



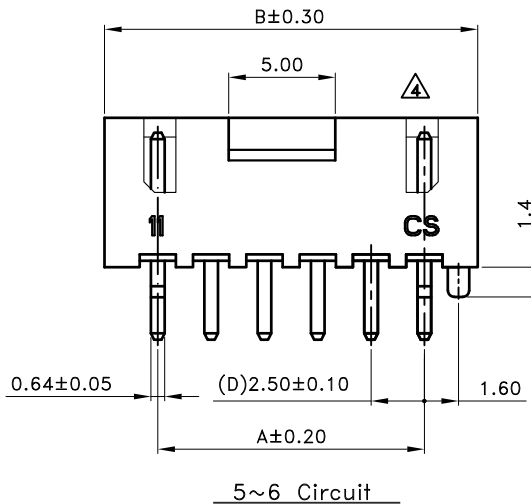
Recommended PCB Layout(Top View)

General tolerance±0.05

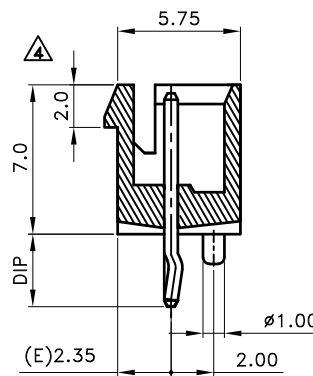


3~4 Circuit

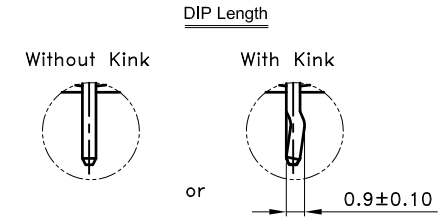
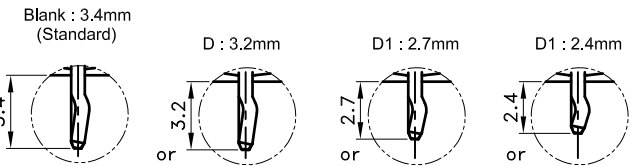
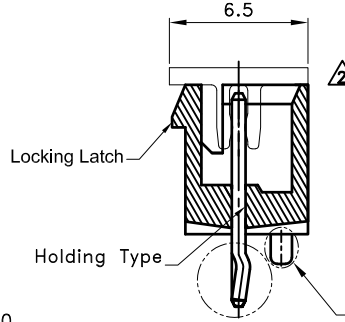
2 Circuit



5~6 Circuit



A-A Section



Structure Reference

Poles	Dimension(mm)			Poles	Dimension(mm)		
	A	B	C		A	B	C
02	2.50	7.50	6.00	12	27.50	32.50	31.00
03	5.00	10.00	8.50	13	30.00	35.00	33.50
04	7.50	12.50	11.00	14	32.50	37.50	36.00
05	10.00	15.00	13.50	15	35.00	40.00	38.50
06	12.50	17.50	16.00	16	37.50	42.50	41.00
07	15.00	20.00	18.50	17	40.00	45.00	43.50
08	17.50	22.50	21.00	18	42.50	47.50	46.00
09	20.00	25.00	23.50	19	45.00	50.00	48.50
10	22.50	27.50	26.00	20	47.50	52.50	51.00
11	25.00	30.00	28.50				

■ SPECIFICATIONS

- Rated Voltage : 250 V AC/DC
- Current Rating : 3A AC/DC.
- Withstanding Voltage : 1,000V AC/minute
- Insulation Resistance : 1,000MΩ min.
- Temperature Range : - 25°C to + 85°C
- Contact resistance : 20mΩ max.

■ WAFER

• Part No. : GJS-1001-XX X X (XX X X) XX HK XX

① ② ③ ④ ⑤ ⑥ ⑦ ⑧ ⑨

- ① Poles No. : 02~20
- ② Structure1 : Blank : Normal Type(Standard)
P: Polarizing boss
- ③ Structure2 : Blank : Normal Type(Standard)
S : Holding Type(Unilateral Pin)
- ④ Base/CAP : 6TNH1: PA 6T UL94V-0 Non-halogen,(Nature)
6TNH : PA 6T UL94V-0 Non-halogen,(Black)
9T : PA9T UL94V-0,(Nature)
LC : LCP UL94V-0,(Nature)
- ⑤ Plated Blank : Bright-Tin Plated
NM : Matte-Tin Plated
G : Gold Plated
- ⑥ Kink Type: Blank : Without Kink(standard)
K : With Kink
- ⑦ Dip Length: Blank : 3.4mm (standard)
D : 3.2mm
D1: 2.7mm
D2: 2.4mm
D12: 1.4±0.10mm
- ⑧ HK : With Locking Latch
- ⑨ Packing: Bank:Bag
/R:Tape&Reel (with CAP)

- Material : 1. Contact : Brass
2. Base : Refer the above options
3. Cap: Refer the above options

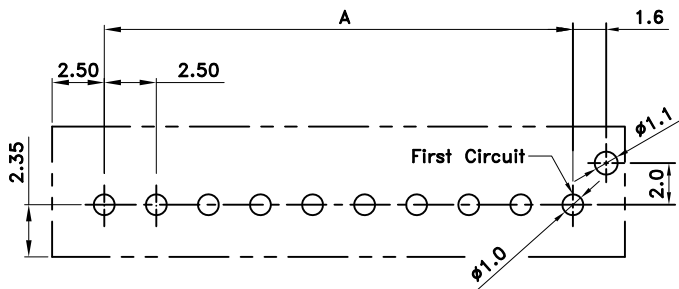


东莞乔唯电子有限公司
DONGGUAN CHYAO WEI
ELECTRONIC CO., LTD

APPROVED BY	SCALE	UNIT	TOLERANCE	LTR	REVISION RECORD	NAME	DATE	LTR	REVISION RECORD	NAME	DATE
张育瑞		mm	.0 ±0.30	△	添加07~20PIN规格选项	谢君	21-9-22	△			
CHECKED BY	PROJ	VER NO.	.00 ±0.20	△	添加盖帽和卷带包装选项	谢君	21-11-09	△			
曾庆根		a4	.000 ±0.10	△	增加LCP选项及D12: 1.4选项	谢君	2023.12.13	△			
DRAWN BY	DATE	SIZE	ANGLE	△	修正图面	曾庆根	2024.07.23				
曾庆根	2021/11/09	A4	0° ±1°	△					CUSTOMER		
			.0° ±	△					Conforms to The RoHS Instruction		
			SHEET 1/1	△							

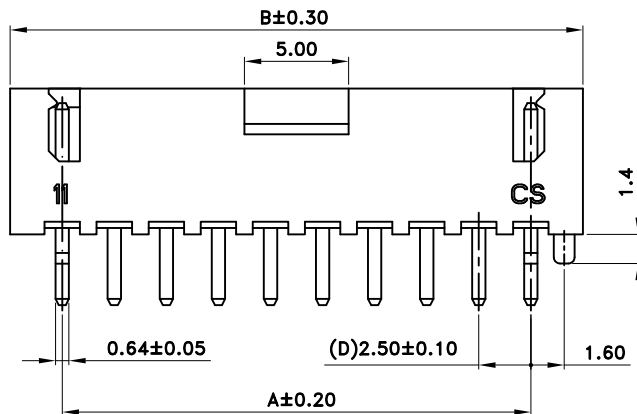
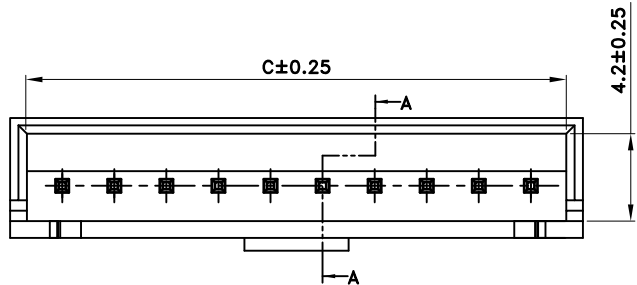
PART NO GJS-1001-XXXXXXXXX-HKXX

2.50mm Disconnectable crimp style Wafer(Straight)



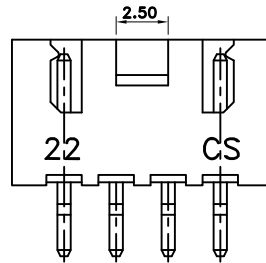
Recommended PCB Layout(Top View)

General tolerance±0.05

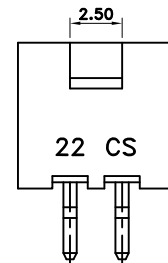


5~20 Circuit

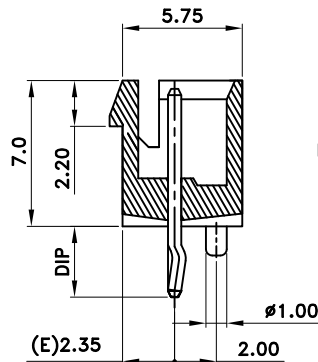
Poles	Dimension(mm)			Poles	Dimension(mm)		
	A	B	C		A	B	C
2	2.50	7.50	6.00	12	27.50	32.50	31.00
3	5.00	10.00	8.50	13	30.00	35.00	33.50
4	7.50	12.50	11.00	14	32.50	37.50	36.00
5	10.00	15.00	13.50	15	35.00	40.00	38.50
6	12.50	17.50	16.00	16	37.50	42.50	41.00
7	15.00	20.00	18.50	17	40.00	45.00	43.50
8	17.50	22.50	21.00	18	42.50	47.50	46.00
9	20.00	25.00	23.50	19	45.00	50.00	48.50
10	22.50	27.50	26.00	20	47.50	52.50	51.00
11	25.00	30.00	28.50				



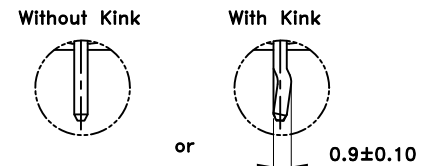
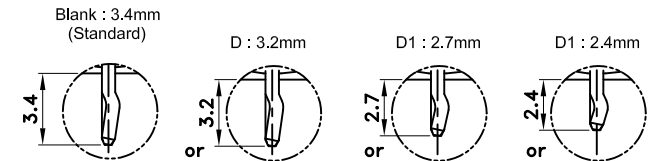
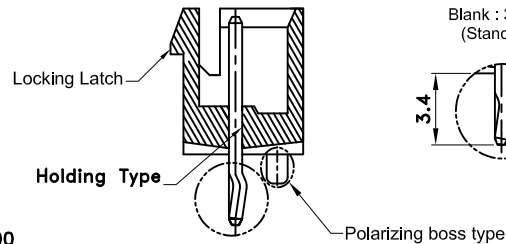
3~4 Circuit



2 Circuit



A-A Section



Structure Reference

■ SPECIFICATIONS

- Rated Voltage : 250 V AC/DC
- Current Rating : 3A AC/DC.
- Withstanding Voltage : 1,000V AC/minute
- Insulation Resistance : 1,000MΩ min.
- Temperature Range : - 25°C to + 85°C
- Contact resistance : 20mΩ max.

■ WAFER

- Part No. : GJS-1001-XX X X (XX X X) XX XX - HK

- ① Poles No. : 2~20
- ② Structure1 : Blank : Normal Type(Standard)
P: Polarizing boss
- ③ Structure2 : Blank : Normal Type(Standard)
S : Holding Type(Unilateral Pin)
- ④ Base : Bank:Nylon 66 UL94V-0
GF : Nylon 66 (G.F.) UL94V-0
- ⑤ Plated : Blank : Bright-Tin Plated
NM : Matte-Tin Plated
G : Gold Plated
- ⑥ Kink Type: Blank : Without Kink(standard)
K : With Kink
- ⑦ Dip Length: Blank : 3.4mm (standard)
D : 3.2mm
D1: 2.7mm
D2: 2.4mm
- ⑧ Color : Blank : Nature
R : Red(199C#)
BK : BLACK
BU : BLUE
Y : YELLOW
- ⑨ HK : With Locking Latch

- Material : 1. Contact : Brass
2. Base : Refer the above options
- Package: Bag



东莞乔唯电子有限公司
DONGGUAN CHYAO WEI
ELECTRONIC CO., LTD

APPROVED BY	SCALE	UNIT	TOLERANCE	LTR	REVISION RECORD	NAME	DATE	LTR	REVISION RECORD	NAME	DATE
张育瑞		mm	.0 ±0.30	△	增加柱子P选项	曾慶根	2018-7-9	△			
CHECKED BY	PROJ	VER NO.	.00 ±0.20	△	增加GF规格选项	曾慶根	2020-9-4	△			
劉娜		a2	.000 ±0.10	△				△			
			ANGLE	△							
			0° ±1°	△							
			.0° ±	△							
			SHEET	1/1	△						

PART NO GJS-1001-XXXXXXXXXX-HK

2.50mm Disconnectable crimp style Wafer(Straight)

劉娜

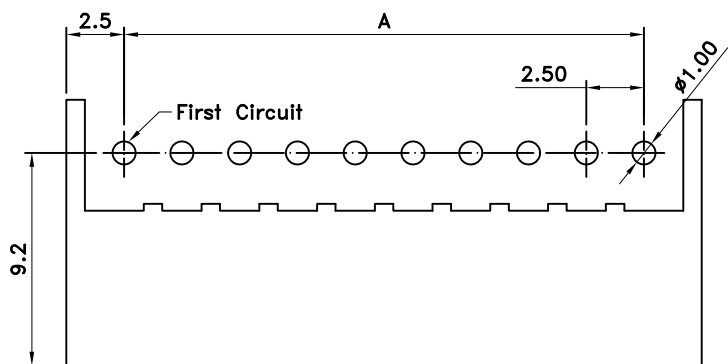
曾慶根

DATE 2020/09/04

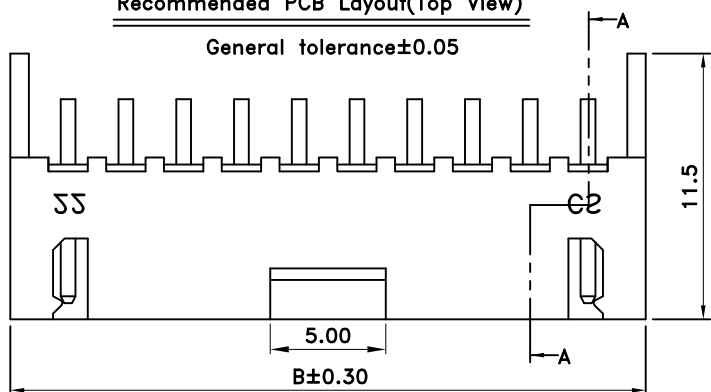
SIZE A4

CUSTOMER

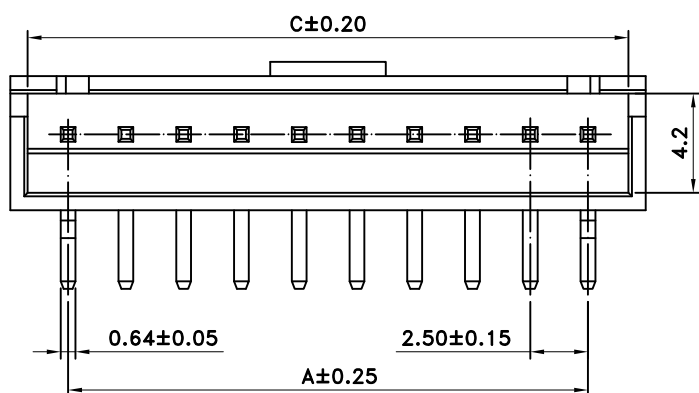
Conforms to The RoHS Instruction



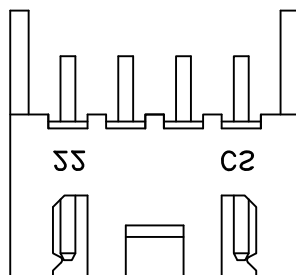
Recommended PCB Layout(Top View)



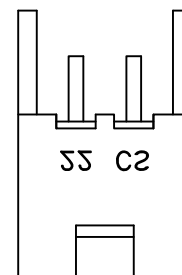
5~20 Circuit



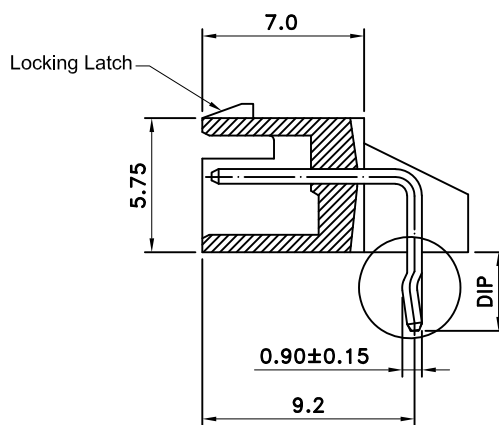
Poles	Dimension(mm)			Poles	Dimension(mm)		
	A	B	C		A	B	C
02	2.50	7.50	6.00	12	27.50	32.50	31.00
03	5.00	10.00	8.50	13	30.00	35.00	33.50
04	7.50	12.50	11.00	14	32.50	37.50	36.00
05	10.00	15.00	13.50	15	35.00	40.00	38.50
06	12.50	17.50	16.00	16	37.50	42.50	41.00
07	15.00	20.00	18.50	17	40.00	45.00	43.50
08	17.50	22.50	21.00	18	42.50	47.50	46.00
09	20.00	25.00	23.50	19	45.00	50.00	48.50
10	22.50	27.50	26.00	20	47.50	52.50	51.00
11	25.00	30.00	28.50				



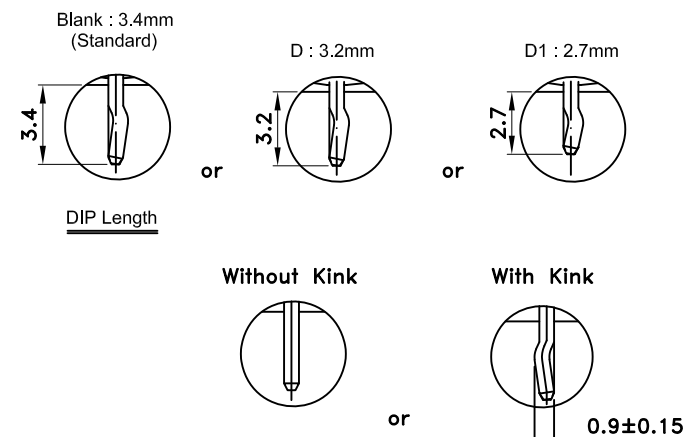
3~4 Circuit



2 Circuit



A-A Section



Structure Reference

- SPECIFICATIONS
- Rated Voltage : 250 V AC/DC
- Current Rating : 3A AC/DC.
- Withstanding Voltage : 1,000V AC/minute
- Insulation Resistance : 1,000M Ω min.
- Temperature Range : - 25 $^{\circ}$ C to + 85 $^{\circ}$ C
- Contact resistance : 20m Ω max.

■ WAFER

- Part No. : GJS-1001R-XX (XX X X) XX -HK

- ① Poles No : 02~20
- ② Plated Blank : Bright-Tin Plated
NM : Matte-Tin Plated
G : Gold Plated
- ③ Kink Type: Blank : Without Kink(standard)
K : With Kink
- ④ Dip Length: Blank : 3.4mm (standard)
D : 3.2mm
D1: 2.7mm
- ⑤ Color : Blank : Nature
R : Red(199C#)
BK : BLACK
BU : BLUE
Y : YELLOW
- ⑥ HK : With Locking Latch

- Material : 1. Contact : Brass
- 2. Base : Nylon 66 UL94V-0
- Package: Bag

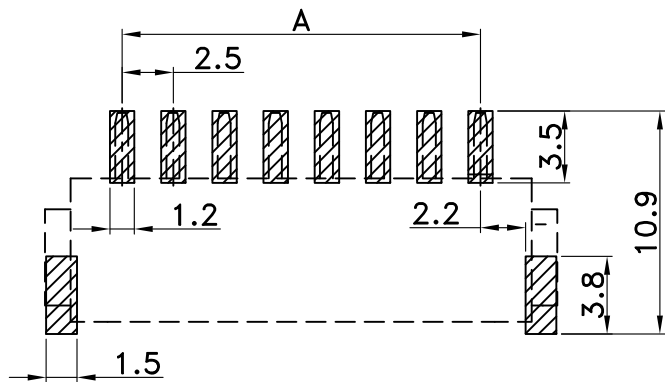


东莞乔唯电子有限公司
DONGGUAN CHYAO WEI
ELECTRONIC CO., LTD

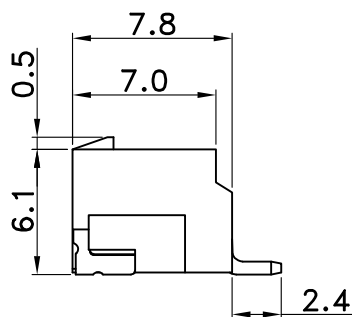
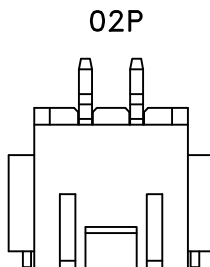
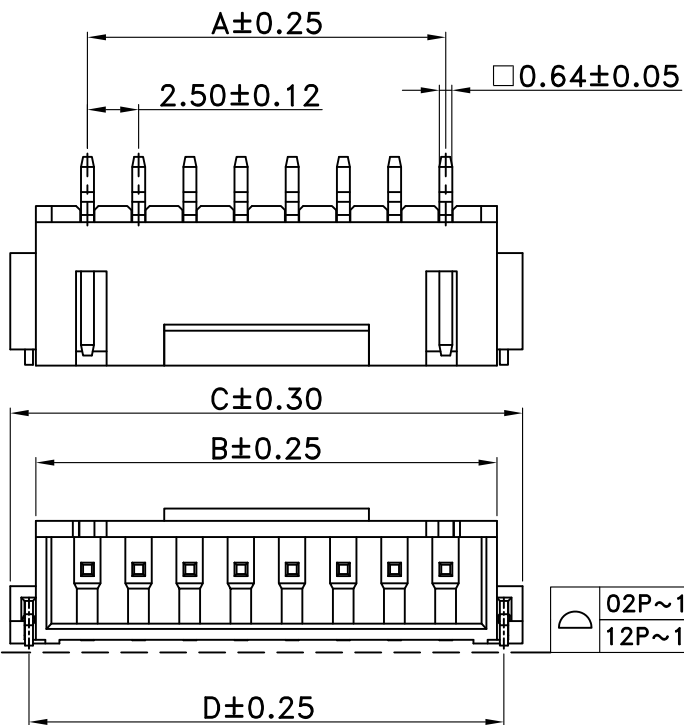
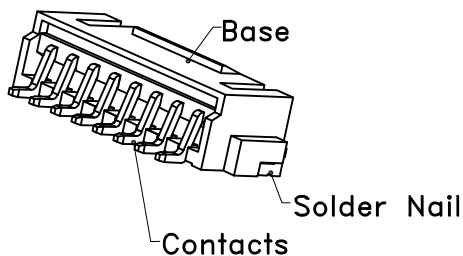
APPROVED BY	SCALE	UNIT	TOLERANCE	LTR	REVISION RECORD	NAME	DATE	LTR	REVISION RECORD	NAME	DATE
张育瑞		mm	.0 ±0.30	①				⑧			
CHECKED BY	PROJ	VER NO.	.00 ±0.20	②				⑨			
曾庆根		a0	.000 ±0.10	③				⑩			
DRAWN BY	DATE	SIZE	ANGLE	④							
曾庆根	2017/08/16	A4	0 $^{\circ}$ ±1 $^{\circ}$	⑤							
			.0 $^{\circ}$ ±	⑥							
			SHEET 1/1	⑦							
									CUSTOMER		
Conforms to The RoHS Instruction											

PART NO GJS-1001R-XX(XXXX)XX-HK

2.50mm DIP series wire to board connector(Right Angle)



Recommended PCB Layout
General Tolerance ± 0.05



02P~11P	0.10
12P~16P	0.12

■ SPECIFICATIONS

- Voltage Rating : 250V AC/DC
- Current Rating : 3A AC/DC
- Withstanding Voltage : 1000V AC/minute
- Insulation Resistance : 1000M Ω min.
- Temperature Range : -25 $^{\circ}$ C to +85 $^{\circ}$ C
- Contact Resistance : 20m Ω max.

■ WAFER

- Part No. : GJS-1001H2-XX (HK)
- Product Code: ① ②
- ① Poles:02~16
- ② HK :帶扣
- Material : Contact : Brass Tin Plated
Base : LCP UL94V-0, Colour: Natural
Solder Nail : Brass Tin Plated
- Packing : 700 pcs/Reel
- Mating Housing : GJS-20012-XX (HK)
Mating Terminal : GJS-20012-TPX

Poles	Dimensions (mm)			
	A	B	C	D
02	2.50	7.50	10.00	8.20
03	5.00	10.00	12.50	10.70
04	7.50	12.50	15.00	13.20
05	10.00	15.00	17.50	15.70
06	12.50	17.50	20.00	18.20
07	15.00	20.00	22.50	20.70
08	17.50	22.50	25.00	23.20
09	20.00	25.00	27.50	25.70
10	22.50	27.50	30.00	28.20
11	25.00	30.00	32.50	30.70
12	27.50	32.50	35.00	33.20
13	30.00	35.00	37.50	35.70
14	32.50	37.50	40.00	38.20
15	35.00	40.00	42.50	40.70
16	37.50	42.50	45.00	43.20

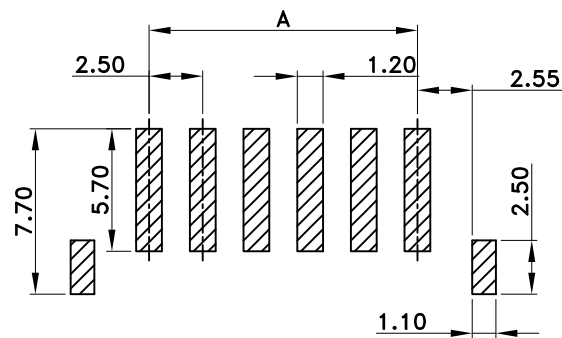


东莞乔唯电子有限公司
DONGGUAN CHYAO WEI
ELECTRONIC CO., LTD

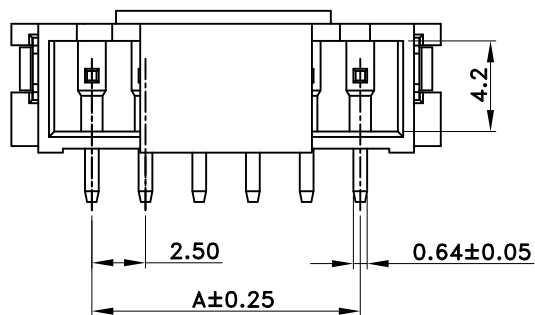
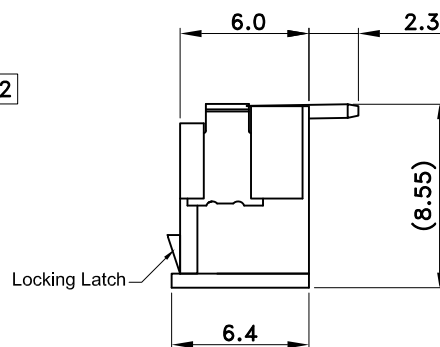
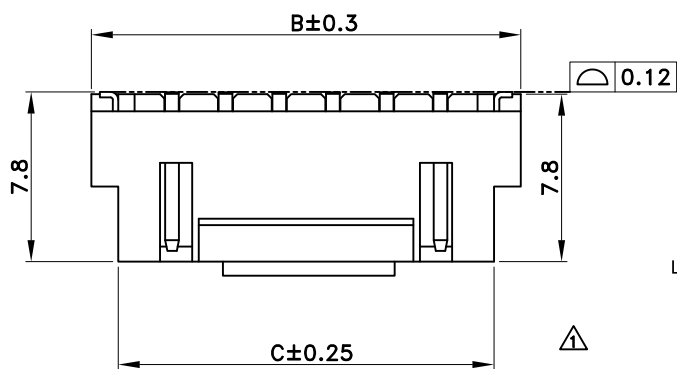
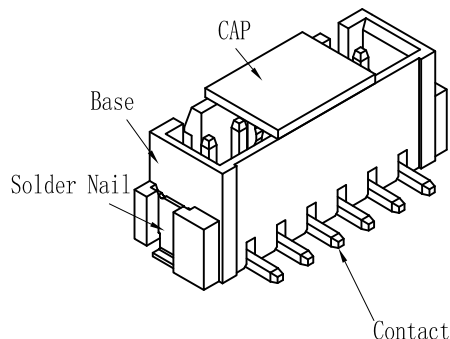
APPROVED BY	SCALE	UNIT	TOLERANCE	LTR	REVISION RECORD	NAME	DATE	LTR	REVISION RECORD	NAME	DATE
張育瑞		mm	.0 ±0.30	△				△			
CHECKED BY	PROJ	VER NO.	.00 ±0.20	△				△			
劉娜	⊕	a0	.000 ±0.10	△				△			
DRAWN BY	DATE	SIZE	ANGLE	△						CUSTOMER	
曾慶根	2021/08/13	A4	0° ±1°	△						Conforms to The RoHS Instruction	
			.0° ±	△							
			SHEET 1/1	△							

PART NO GJS-1001H2-XX(HK)

2.50mm Crimp Style Connectors Wafer(SMT)



Recommended PCB Layout
General tolerance ± 0.05



SPECIFICATIONS

- Voltage Rating : 250V AC/DC
- Current Rating : 3A AC/DC
- Withstanding Voltage : 1000V AC/minute
- Insulation Resistance : 1000M Ω min.
- Temperature Range : -25°C to +105°C
- Contact Resistance : 20m Ω max.

WAFER

- Part No. : GJS-1001V2-XX HK
- Product Code: ① ②
- ① Poles:02~16
- ② HK : With Locking Latch
- Material : 1. Contact : Brass, Tin plated
2. Base : LCP UL94 V-0, Colour : Natural
3. Solder Nail : Phosphor bronze, Tin plated
4. Base : LCP UL94 V-0, Colour : Natural
- Packing : Tape & Reel

Circuit	Dimensions(mm)		
	A	B	C
02	2.50	10.00	7.50
03	5.00	12.50	10.00
04	7.50	15.00	12.50
05	10.00	17.50	15.00
06	12.50	20.00	17.50
07	15.00	22.50	20.00
08	17.50	25.00	22.50
09	20.00	27.50	25.00
10	22.50	30.00	27.50
11	25.00	32.50	30.00
12	27.50	35.00	32.50
13	30.00	37.50	35.00
14	32.50	40.00	37.50
15	35.00	42.50	40.00
16	37.50	45.00	42.50



东莞乔唯电子有限公司
DONGGUAN CHYAO WEI
ELECTRONIC CO., LTD

APPROVED BY	SCALE	UNIT	TOLERANCE	LTR	REVISION RECORD	NAME	DATE	LTR	REVISION RECORD	NAME	DATE
張育瑞		mm	.0 ± 0.30	Δ	修改圖示與實物一致	謝君	22-5-20	Δ			
CHECKED BY	PROJ	VER NO.	.00 ± 0.20	Δ				Δ			
劉娜	\oplus	a1	.000 ± 0.10	Δ				Δ			
DRAWN BY	DATE	SIZE	ANGLE	Δ					CUSTOMER		
謝君	2022/05/20	A4	0° $\pm 1^\circ$	Δ					Conforms to The RoHS Instruction		
			.0° \pm	Δ							
			SHEET 1/1	Δ							

PART NO GJS-1001V2-XX HK

2.50mm Board to Board Connector MST TYPE