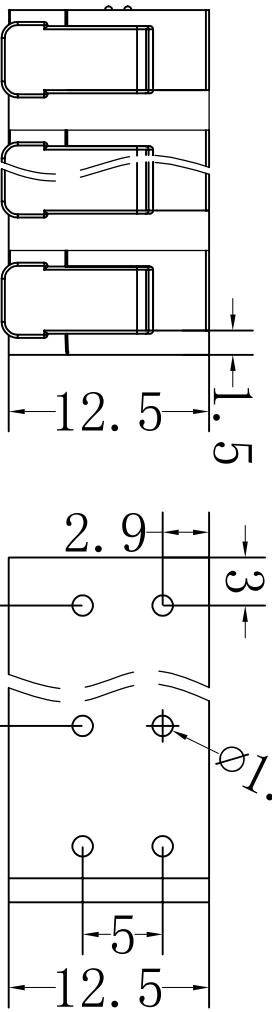
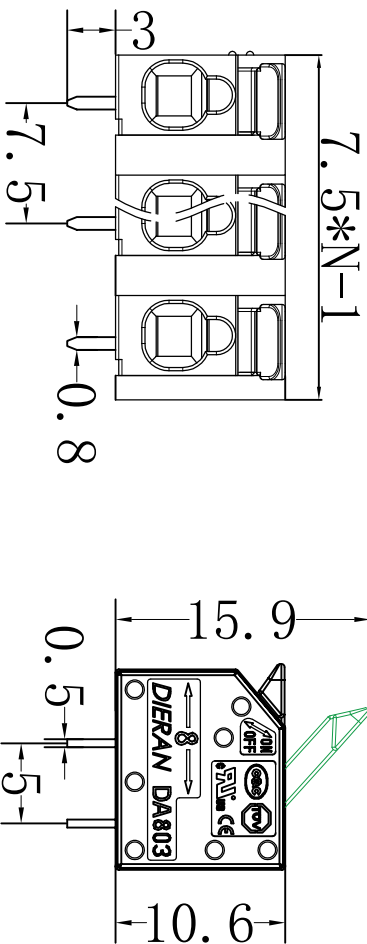


Dieran

东莞市地安电子科技有限公司 DONGGUAN CITY DIERAN ELECTRONICS CO.,LTD

REVISION RECORD

REV.	DESCRIPTION	ECN NO.	APPROVED	DATE



Linear dimension (Tolerances Standard GB/T 1486-2008)

variable range	to	over 6 to 10	over 10 to 30	over 30 to 60	over 60 to 100	over 100 to 160	over 160 to 10	over 10 to 100
tolerance	±0.20	±0.30	±0.50	±0.70	±1.00	±1.30	±1.60	0.10

项目/参数/认证	额定电压 (Rated Voltage) [V]	额定电流 (Rated Current) [A]	额定线径平方 (Wire Range mm ²)	额定线径线号 (Wire Range AWG)	冲击电压 Impulse withstand voltage	剥线长度 (Stripping Length) [mm]	绝缘材料 (Insulation Material)	导体材料 (Conductor Material)	导体表面镀层 (Contactive Coating)	间距 (Pitch) [mm]	级数 (Poles) [P]	工作温度 (Operating temperatur) [°C]	焊锡温度 (Soldering temperature) [°C]
CEC	450	24	0.2-2.5	24-14	4 (KV)	8-9 (mm)	PA66 UL94V-0	黄铜 (brass)	镀锡 (Dumb tin)	5.0	2-32P	-40°C ~ +105°C	250°C/5S
UL	450	24	0.2-2.5	24-14	4 (KV)	8-9 (mm)	PA66 UL94V-0	黄铜 (brass)	镀锡 (Dumb tin)	5.0	2-32P	-40°C ~ +105°C	250°C/5S
CCC	450	24	0.2-2.5	24-14	4 (KV)	8-9 (mm)	PA66 UL94V-0	黄铜 (brass)	镀锡 (Dumb tin)	5.0	2-32P	-40°C ~ +105°C	250°C/5S
UL	300	15	0.2-2.5	24-14	4 (KV)	8-9 (mm)	PA66 UL94V-0	黄铜 (brass)	镀锡 (Dumb tin)	5.0	2-32P	-40°C ~ +105°C	250°C/5S

单位/UNITS	尺寸/SIZE	A4	比例/SCALE	1:1	名称/TITLE	版本/REV	V0
mm					DA803R-750		

东莞市地安电子科技有限公司



第三视角/THIRD ANGLE PROJECTION